



# non-connector

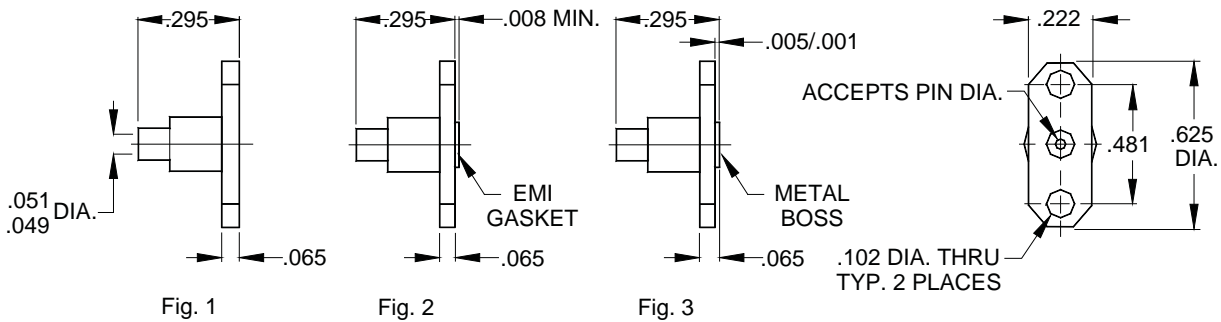


[www.dynawave.com](http://www.dynawave.com)

**dynawave**  
INCORPORATED

# non-connector type flange mount

.047 semi-rigid cable, 2 hole flange mount

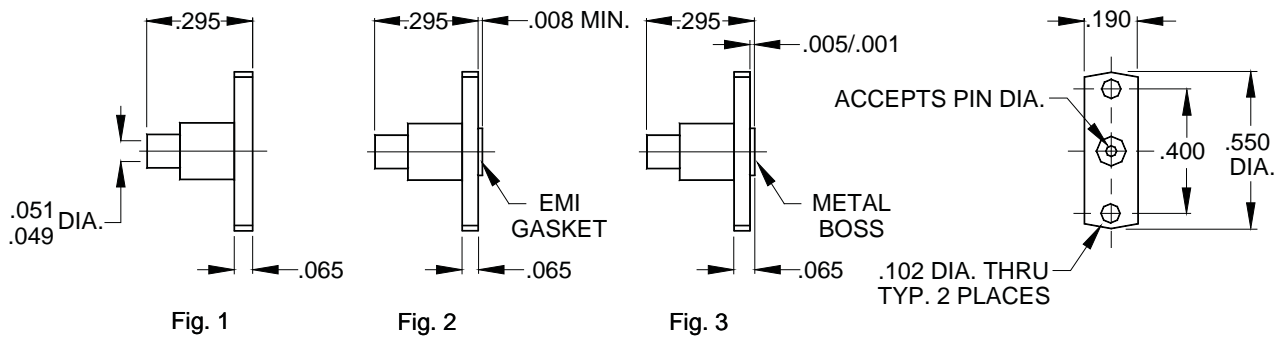


PART NUMBER	Fig.	ACCEPTS PIN DIA.	MATERIAL TYPE	FREQUENCY RANGE
6952-4720-2715	1	.016/.011	BRASS	DC - 36.0 GHz.
6952-4727-2715	2	.016/.011	BRASS	DC - 36.0 GHz.
6952-4728-2715	3	.016/.011	BRASS	DC - 36.0 GHz.
6952-4720-2720	1	.021/.017	BRASS	DC - 36.0 GHz.
6952-4727-2720	2	.021/.017	BRASS	DC - 36.0 GHz.
6952-4728-2720	3	.021/.017	BRASS	DC - 36.0 GHz.
6952-4720-6415	1	.016/.011	STAINLESS STEEL	DC - 36.0 GHz.
6952-4727-6415	2	.016/.011	STAINLESS STEEL	DC - 36.0 GHz.
6952-4728-6415	3	.016/.011	STAINLESS STEEL	DC - 36.0 GHz.
6952-4720-6420	1	.021/.017	STAINLESS STEEL	DC - 36.0 GHz.
6952-4727-6420	2	.021/.017	STAINLESS STEEL	DC - 36.0 GHz.
6952-4728-6420	3	.021/.017	STAINLESS STEEL	DC - 36.0 GHz.

Specifications are subject to change without notice

# ● non-connector type flange mount ●

.047 semi-rigid cable, 2 hole flange mount

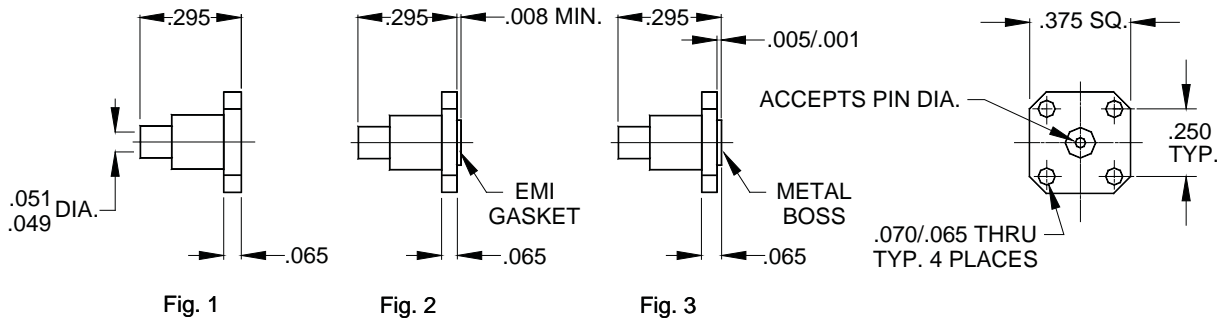


PART NUMBER	Fig.	ACCEPTS PIN DIA.	MATERIAL TYPE	FREQUENCY RANGE
6952-4720-2714	1	.016/.011	BRASS	DC - 36.0 GHz.
6952-4727-2714	2	.016/.011	BRASS	DC - 36.0 GHz.
6952-4728-2714	3	.016/.011	BRASS	DC - 36.0 GHz.
6952-4720-2724	1	.021/.017	BRASS	DC - 36.0 GHz.
6952-4727-2724	2	.021/.017	BRASS	DC - 36.0 GHz.
6952-4728-2724	3	.021/.017	BRASS	DC - 36.0 GHz.
6952-4720-6414	1	.016/.011	STAINLESS STEEL	DC - 36.0 GHz.
6952-4727-6414	2	.016/.011	STAINLESS STEEL	DC - 36.0 GHz.
6952-4728-6414	3	.016/.011	STAINLESS STEEL	DC - 36.0 GHz.
6952-4720-6424	1	.021/.017	STAINLESS STEEL	DC - 36.0 GHz.
6952-4727-6424	2	.021/.017	STAINLESS STEEL	DC - 36.0 GHz.
6952-4728-6424	3	.021/.017	STAINLESS STEEL	DC - 36.0 GHz.

Specifications are subject to change without notice

# ● non-connector type flange mount ●

.047 semi-rigid cable, .375 sq., 4 hole flange mount

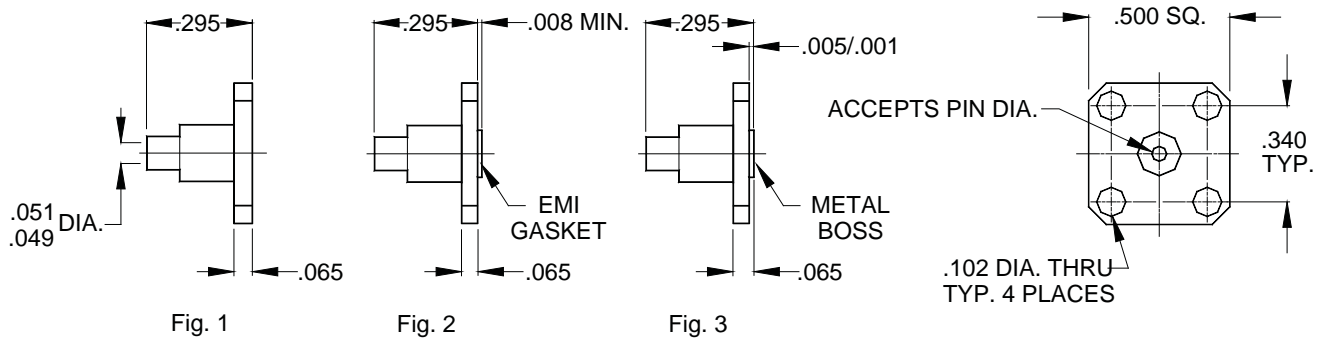


PART NUMBER	Fig.	ACCEPTS PIN DIA.	MATERIAL TYPE	FREQUENCY RANGE
6954-4720-2715	1	.016/.011	BRASS	DC - 36.0 GHz.
6954-4727-2715	2	.016/.011	BRASS	DC - 36.0 GHz.
6954-4728-2715	3	.016/.011	BRASS	DC - 36.0 GHz.
6954-4720-2720	1	.021/.017	BRASS	DC - 36.0 GHz.
6954-4727-2720	2	.021/.017	BRASS	DC - 36.0 GHz.
6954-4728-2720	3	.021/.017	BRASS	DC - 36.0 GHz.
6954-4720-6415	1	.016/.011	STAINLESS STEEL	DC - 36.0 GHz.
6954-4727-6415	2	.016/.011	STAINLESS STEEL	DC - 36.0 GHz.
6954-4728-6415	3	.016/.011	STAINLESS STEEL	DC - 36.0 GHz.
6954-4720-6420	1	.021/.017	STAINLESS STEEL	DC - 36.0 GHz.
6954-4727-6420	2	.021/.017	STAINLESS STEEL	DC - 36.0 GHz.
6954-4728-6420	3	.021/.017	STAINLESS STEEL	DC - 36.0 GHz.

Specifications are subject to change without notice

# ● non-connector type flange mount ●

.047 semi-rigid cable, .500 sq., 4 hole flange mount

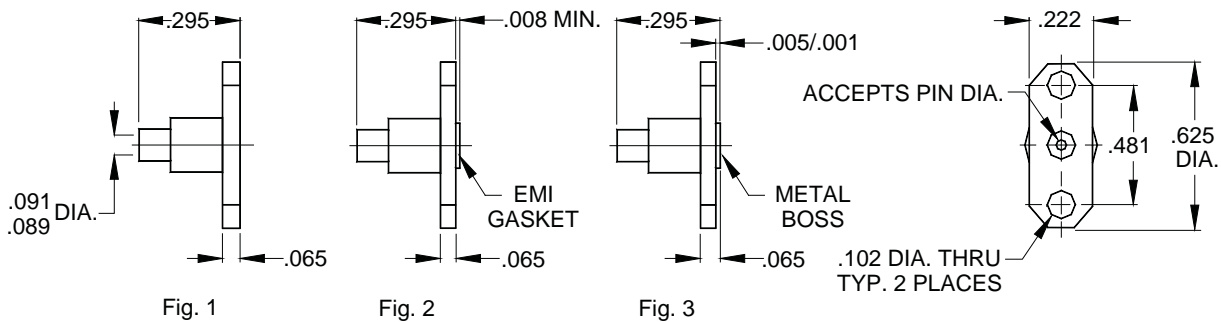


PART NUMBER	Fig.	ACCEPTS PIN DIA.	MATERIAL TYPE	FREQUENCY RANGE
6954-4720-2717	1	.016/.011	BRASS	DC - 36.0 GHz.
6954-4727-2717	2	.016/.011	BRASS	DC - 36.0 GHz.
6954-4728-2717	3	.016/.011	BRASS	DC - 36.0 GHz.
6954-4720-2727	1	.021/.017	BRASS	DC - 36.0 GHz.
6954-4727-2727	2	.021/.017	BRASS	DC - 36.0 GHz.
6954-4728-2727	3	.021/.017	BRASS	DC - 36.0 GHz.
6954-4720-6417	1	.016/.011	STAINLESS STEEL	DC - 36.0 GHz.
6954-4727-6417	2	.016/.011	STAINLESS STEEL	DC - 36.0 GHz.
6954-4728-6417	3	.016/.011	STAINLESS STEEL	DC - 36.0 GHz.
6954-4720-6427	1	.021/.017	STAINLESS STEEL	DC - 36.0 GHz.
6954-4727-6427	2	.021/.017	STAINLESS STEEL	DC - 36.0 GHz.
6954-4728-6427	3	.021/.017	STAINLESS STEEL	DC - 36.0 GHz.

Specifications are subject to change without notice

# ● non-connector type flange mount ●

.085 semi-rigid cable, 2 hole flange mount

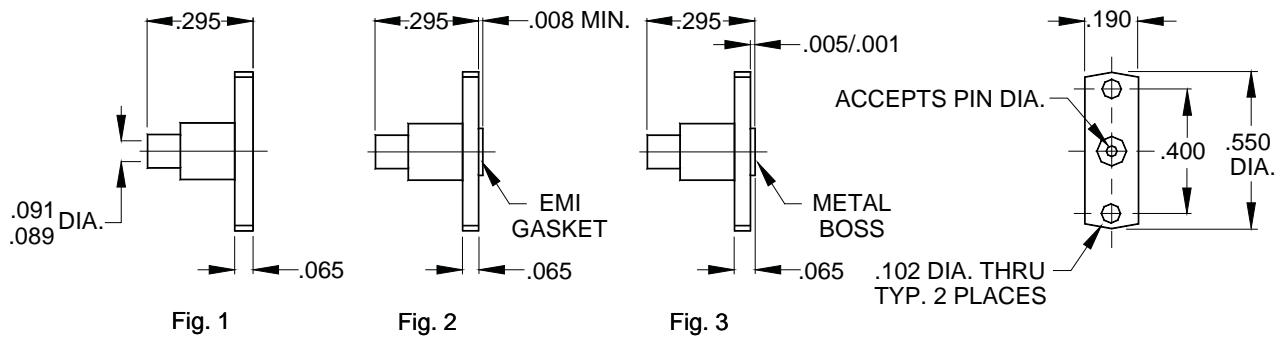


PART NUMBER	Fig.	ACCEPTS PIN DIA.	MATERIAL TYPE	FREQUENCY RANGE
6952-8520-2712	1	.016/.011	BRASS	DC - 36.0 GHz.
6952-8527-2712	2	.016/.011	BRASS	DC - 36.0 GHz.
6952-8528-2712	3	.016/.011	BRASS	DC - 36.0 GHz.
6952-8520-2720	1	.021/.017	BRASS	DC - 36.0 GHz.
6952-8527-2720	2	.021/.017	BRASS	DC - 36.0 GHz.
6952-8528-2720	3	.021/.017	BRASS	DC - 36.0 GHz.
6952-8520-6412	1	.016/.011	STAINLESS STEEL	DC - 36.0 GHz.
6952-8527-6412	2	.016/.011	STAINLESS STEEL	DC - 36.0 GHz.
6952-8528-6412	3	.016/.011	STAINLESS STEEL	DC - 36.0 GHz.
6952-8520-6420	1	.021/.017	STAINLESS STEEL	DC - 36.0 GHz.
6952-8527-6420	2	.021/.017	STAINLESS STEEL	DC - 36.0 GHz.
6952-8528-6420	3	.021/.017	STAINLESS STEEL	DC - 36.0 GHz.

Specifications are subject to change without notice

# ● non-connector type flange mount ●

.085 semi-rigid cable, 2 hole flange mount

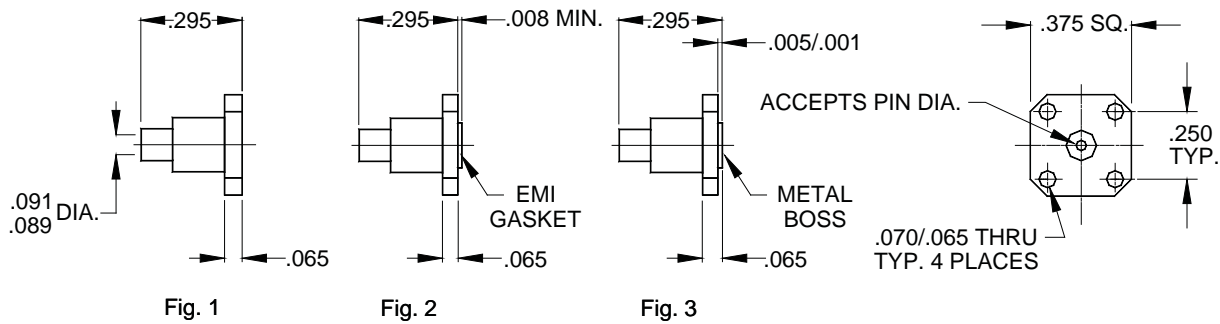


PART NUMBER	Fig.	ACCEPTS PIN DIA.	MATERIAL TYPE	FREQUENCY RANGE
6952-8520-2711	1	.016/.011	BRASS	DC - 36.0 GHz.
6952-8527-2711	2	.016/.011	BRASS	DC - 36.0 GHz.
6952-8528-2711	3	.016/.011	BRASS	DC - 36.0 GHz.
6952-8520-2724	1	.021/.017	BRASS	DC - 36.0 GHz.
6952-8527-2724	2	.021/.017	BRASS	DC - 36.0 GHz.
6952-8528-2724	3	.021/.017	BRASS	DC - 36.0 GHz.
6952-8520-6414	1	.016/.011	STAINLESS STEEL	DC - 36.0 GHz.
6952-8527-6414	2	.016/.011	STAINLESS STEEL	DC - 36.0 GHz.
6952-8528-6414	3	.016/.011	STAINLESS STEEL	DC - 36.0 GHz.
6952-8520-6424	1	.021/.017	STAINLESS STEEL	DC - 36.0 GHz.
6952-8527-6424	2	.021/.017	STAINLESS STEEL	DC - 36.0 GHz.
6952-8528-6424	3	.021/.017	STAINLESS STEEL	DC - 36.0 GHz.

Specifications are subject to change without notice

# ● non-connector type flange mount ●

.085 semi-rigid cable, .375 sq., 4 hole flange mount



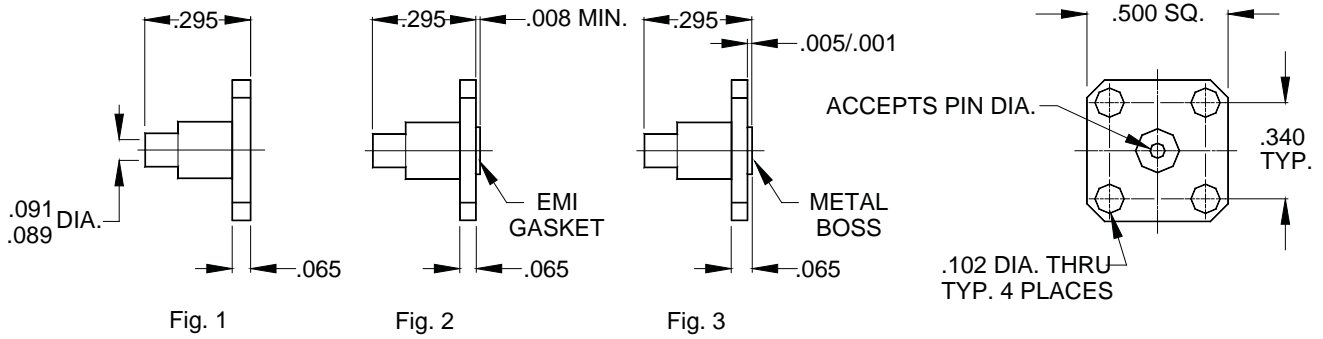
PART NUMBER	Fig.	ACCEPTS PIN DIA.	MATERIAL TYPE	FREQUENCY RANGE
6954-8520-2717	1	.016/.011	BRASS	DC - 36.0 GHz.
6954-8527-2717	2	.016/.011	BRASS	DC - 36.0 GHz.
6954-8528-2717	3	.016/.011	BRASS	DC - 36.0 GHz.
6954-8520-2727	1	.021/.017	BRASS	DC - 36.0 GHz.
6954-8527-2727	2	.021/.017	BRASS	DC - 36.0 GHz.
6954-8528-2727	3	.021/.017	BRASS	DC - 36.0 GHz.
6954-8520-6415	1	.016/.011	STAINLESS STEEL	DC - 36.0 GHz.
6954-8527-6415	2	.016/.011	STAINLESS STEEL	DC - 36.0 GHz.
6954-8528-6415	3	.016/.011	STAINLESS STEEL	DC - 36.0 GHz.
6954-8520-6420	1	.021/.017	STAINLESS STEEL	DC - 36.0 GHz.
6954-8527-6420	2	.021/.017	STAINLESS STEEL	DC - 36.0 GHz.
6954-8528-6420	3	.021/.017	STAINLESS STEEL	DC - 36.0 GHz.

Specifications are subject to change without notice



# ● non-connector type flange mount ●

.085 semi-rigid cable, .500 sq., 4 hole flange mount

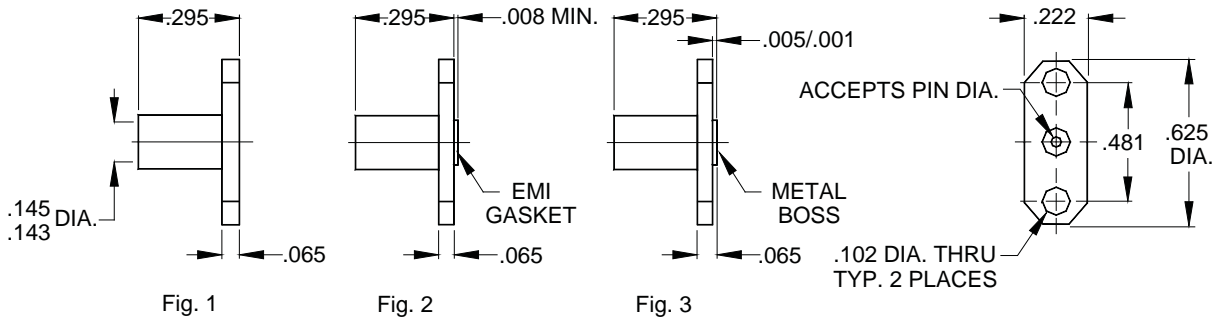


PART NUMBER	Fig.	ACCEPTS PIN DIA.	MATERIAL TYPE	FREQUENCY RANGE
6954-8520-2715	1	.016/.011	BRASS	DC - 36.0 GHz.
6954-8527-2715	2	.016/.011	BRASS	DC - 36.0 GHz.
6954-8528-2715	3	.016/.011	BRASS	DC - 36.0 GHz.
6954-8520-2720	1	.021/.017	BRASS	DC - 36.0 GHz.
6954-8527-2720	2	.021/.017	BRASS	DC - 36.0 GHz.
6954-8528-2720	3	.021/.017	BRASS	DC - 36.0 GHz.
6954-8520-6417	1	.016/.011	STAINLESS STEEL	DC - 36.0 GHz.
6954-8527-6417	2	.016/.011	STAINLESS STEEL	DC - 36.0 GHz.
6954-8528-6417	3	.016/.011	STAINLESS STEEL	DC - 36.0 GHz.
6954-8520-6427	1	.021/.017	STAINLESS STEEL	DC - 36.0 GHz.
6954-8527-6427	2	.021/.017	STAINLESS STEEL	DC - 36.0 GHz.
6954-8528-6427	3	.021/.017	STAINLESS STEEL	DC - 36.0 GHz.

Specifications are subject to change without notice

# ● non-connector type flange mount ●

.141 semi-rigid cable, 2 hole flange mount

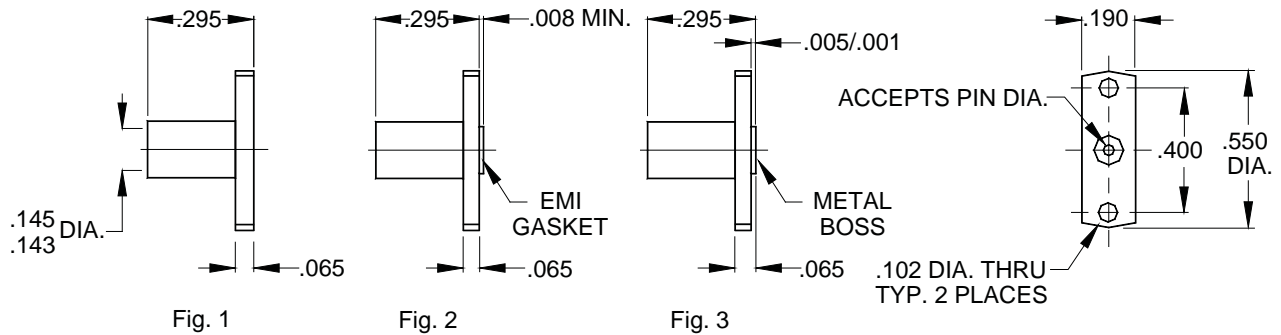


PART NUMBER	Fig.	ACCEPTS PIN DIA.	MATERIAL TYPE	FREQUENCY RANGE
6952-4120-2715	1	.016/.011	BRASS	DC - 36.0 GHz.
6952-4127-2715	2	.016/.011	BRASS	DC - 36.0 GHz.
6952-4128-2715	3	.016/.011	BRASS	DC - 36.0 GHz.
6952-4120-2720	1	.021/.017	BRASS	DC - 36.0 GHz.
6952-4127-2720	2	.021/.017	BRASS	DC - 36.0 GHz.
6952-4128-2720	3	.021/.017	BRASS	DC - 36.0 GHz.
6952-4120-6415	1	.016/.011	STAINLESS STEEL	DC - 36.0 GHz.
6952-4127-6415	2	.016/.011	STAINLESS STEEL	DC - 36.0 GHz.
6952-4128-6415	3	.016/.011	STAINLESS STEEL	DC - 36.0 GHz.
6952-4120-6420	1	.021/.017	STAINLESS STEEL	DC - 36.0 GHz.
6952-4127-6420	2	.021/.017	STAINLESS STEEL	DC - 36.0 GHz.
6952-4128-6420	3	.021/.017	STAINLESS STEEL	DC - 36.0 GHz.

Specifications are subject to change without notice

# ● non-connector type flange mount ●

.141 semi-rigid cable, 2 hole flange mount

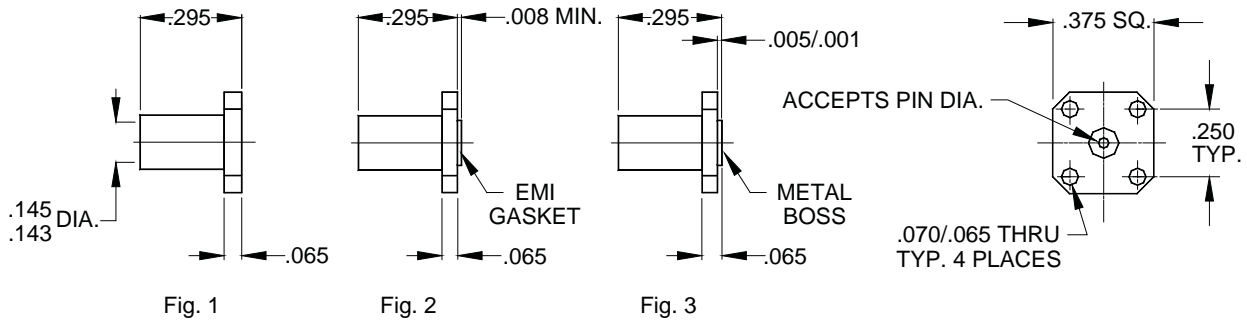


PART NUMBER	Fig.	ACCEPTS PIN DIA.	MATERIAL TYPE	FREQUENCY RANGE
6952-4120-2714	1	.016/.011	BRASS	DC - 36.0 GHz.
6952-4127-2714	2	.016/.011	BRASS	DC - 36.0 GHz.
6952-4128-2714	3	.016/.011	BRASS	DC - 36.0 GHz.
6952-4120-2724	1	.021/.017	BRASS	DC - 36.0 GHz.
6952-4127-2724	2	.021/.017	BRASS	DC - 36.0 GHz.
6952-4128-2724	3	.021/.017	BRASS	DC - 36.0 GHz.
6952-4120-6414	1	.016/.011	STAINLESS STEEL	DC - 36.0 GHz.
6952-4127-6414	2	.016/.011	STAINLESS STEEL	DC - 36.0 GHz.
6952-4128-6414	3	.016/.011	STAINLESS STEEL	DC - 36.0 GHz.
6952-4120-6424	1	.021/.017	STAINLESS STEEL	DC - 36.0 GHz.
6952-4127-6424	2	.021/.017	STAINLESS STEEL	DC - 36.0 GHz.
6952-4128-6424	3	.021/.017	STAINLESS STEEL	DC - 36.0 GHz.

Specifications are subject to change without notice

# ● non-connector type flange mount ●

.141 semi-rigid cable, .375 sq., 4 hole flange mount

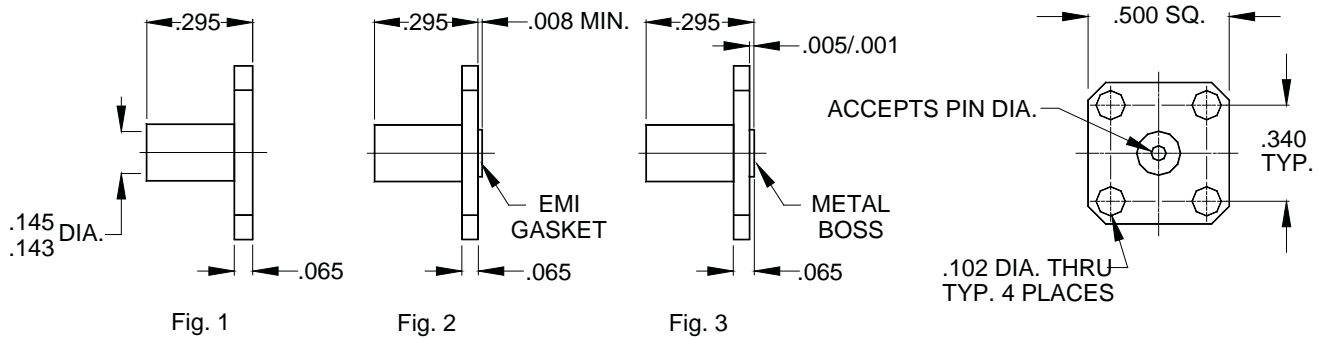


PART NUMBER	Fig.	ACCEPTS PIN DIA.	MATERIAL TYPE	FREQUENCY RANGE
6954-4120-2715	1	.016/.011	BRASS	DC - 36.0 GHz.
6954-4127-2715	2	.016/.011	BRASS	DC - 36.0 GHz.
6954-4128-2715	3	.016/.011	BRASS	DC - 36.0 GHz.
6954-4120-2727	1	.021/.017	BRASS	DC - 36.0 GHz.
6954-4127-2727	2	.021/.017	BRASS	DC - 36.0 GHz.
6954-4128-2727	3	.021/.017	BRASS	DC - 36.0 GHz.
6954-4120-6415	1	.016/.011	STAINLESS STEEL	DC - 36.0 GHz.
6954-4127-6415	2	.016/.011	STAINLESS STEEL	DC - 36.0 GHz.
6954-4128-6415	3	.016/.011	STAINLESS STEEL	DC - 36.0 GHz.
6954-4120-6425	1	.021/.017	STAINLESS STEEL	DC - 36.0 GHz.
6954-4127-6425	2	.021/.017	STAINLESS STEEL	DC - 36.0 GHz.
6954-4128-6425	3	.021/.017	STAINLESS STEEL	DC - 36.0 GHz.

Specifications are subject to change without notice

# ● non-connector type flange mount ●

.141 semi-rigid cable, .500 sq., 4 hole flange mount

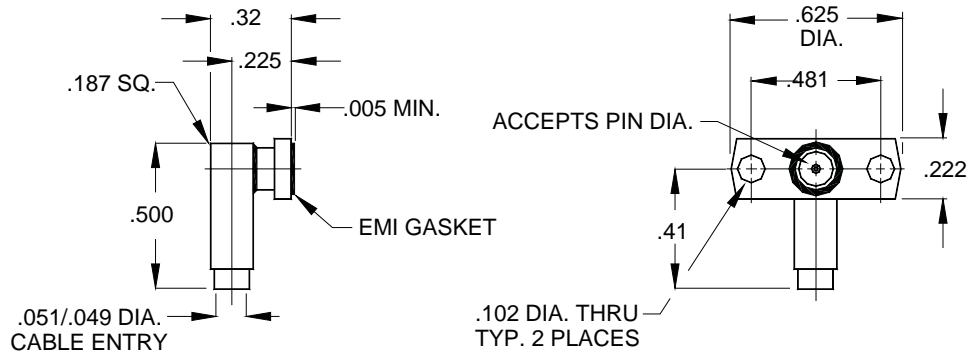


PART NUMBER	Fig.	ACCEPTS PIN DIA.	MATERIAL TYPE	FREQUENCY RANGE
6954-4120-2717	1	.016/.011	BRASS	DC - 36.0 GHz.
6954-4127-2717	2	.016/.011	BRASS	DC - 36.0 GHz.
6954-4128-2717	3	.016/.011	BRASS	DC - 36.0 GHz.
6954-4120-2725	1	.021/.017	BRASS	DC - 36.0 GHz.
6954-4127-2725	2	.021/.017	BRASS	DC - 36.0 GHz.
6954-4128-2725	3	.021/.017	BRASS	DC - 36.0 GHz.
6954-4120-6417	1	.016/.011	STAINLESS STEEL	DC - 36.0 GHz.
6954-4127-6417	2	.016/.011	STAINLESS STEEL	DC - 36.0 GHz.
6954-4128-6417	3	.016/.011	STAINLESS STEEL	DC - 36.0 GHz.
6954-4120-6427	1	.021/.017	STAINLESS STEEL	DC - 36.0 GHz.
6954-4127-6427	2	.021/.017	STAINLESS STEEL	DC - 36.0 GHz.
6954-4128-6427	3	.021/.017	STAINLESS STEEL	DC - 36.0 GHz.

Specifications are subject to change without notice

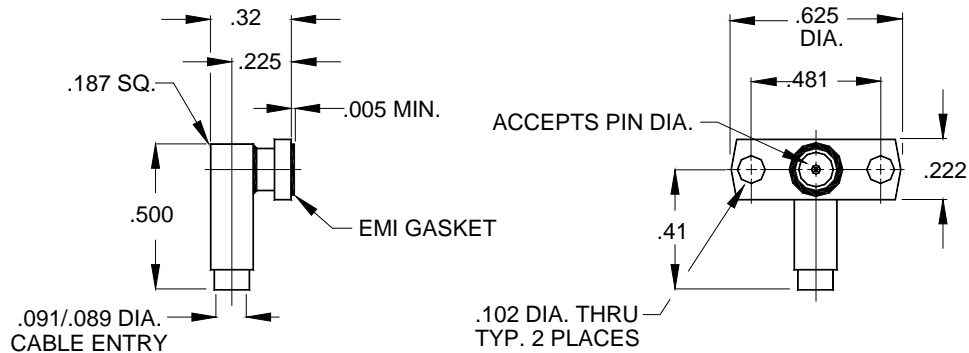
# ● non-connector type flange mount ●

.047 semi-rigid cable, right angle, 2 hole flange mount



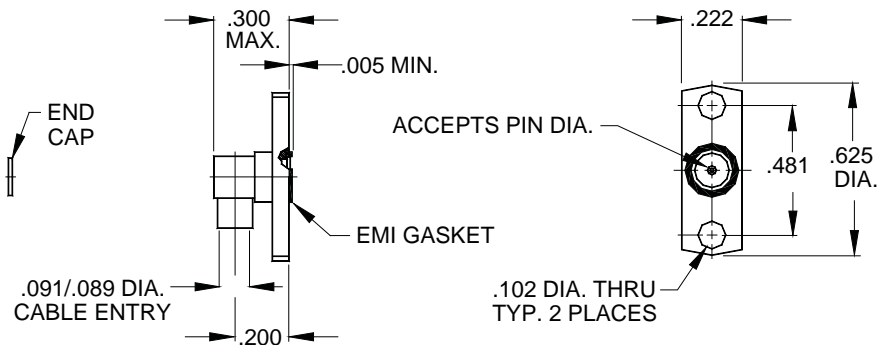
PART NUMBER	ACCEPTS PIN DIA.	MATERIAL TYPE	FREQUENCY RANGE
6956-4727-2715	.016/.011	BRASS	DC - 34.0 GHz.

.085 semi-rigid cable, right angle, 2 hole flange mount



PART NUMBER	ACCEPTS PIN DIA.	MATERIAL TYPE	FREQUENCY RANGE
6956-8527-2715	.016/.011	BRASS	DC - 34.0 GHz.

.085 semi-rigid cable, right angle, 2 hole rotating, 360° flange mount



PART NUMBER	ACCEPTS PIN DIA.	MATERIAL TYPE	FREQUENCY RANGE
6956-8529-6224	.016/.011	STAINLESS STEEL	DC - 12.4 GHz.

Specifications are subject to change without notice