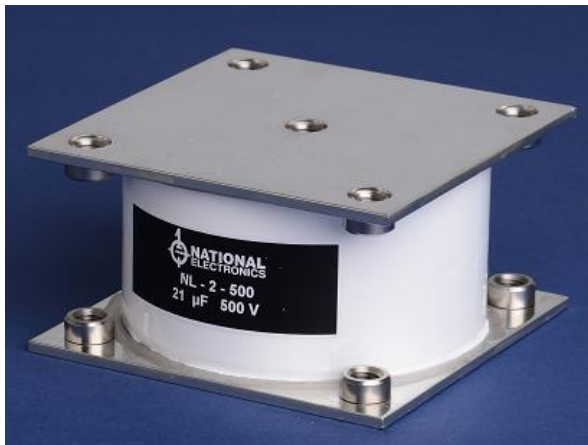


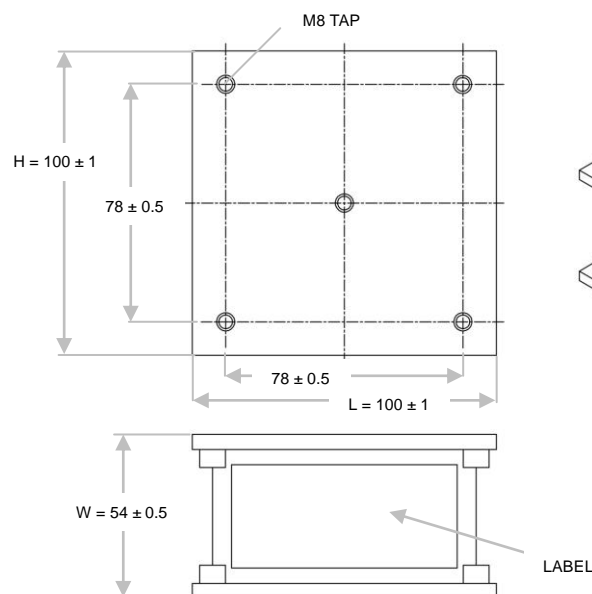
STANDARD RATINGS													
Vrms	1100		750		900	700				500	550	500	
MFD at 1KHz	1.2	1.4	3.0	3.3	4.0	5.6	6.3	8.5	10	21	27	33	37
Current Irms	600	600	800	800	700	1000	1000	1000	1000	1000	1000	1000	1000
Power Kvar	500	500	500	500	500	500	500	500	500	500	500	500	500
Frequency KHz	55-96	46-83	47-68	43-62	25-39	29-57	26-51	19-38	16-32	15	10-12	10	9
Terminal Style	M8	M8	M8	M8	M8	M8	M8	M8	M8	M8	M8	M8	M8



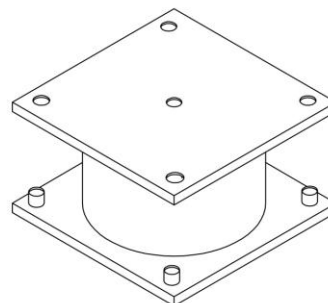
KEY FEATURES

- Maximum Frequency 100 KHz
- Operating Temperature range -25°C to +85°C
- Low ESL & ESR
- Low loss Polypropylene dielectric
- Water flow rate 10 LPM
- Cooling: Conduction Cooled

DIMENSIONS (mm)



Terminal M8



Torque 20 Nm max.