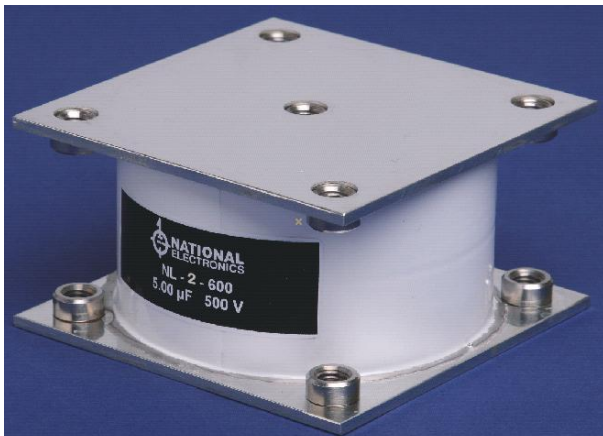


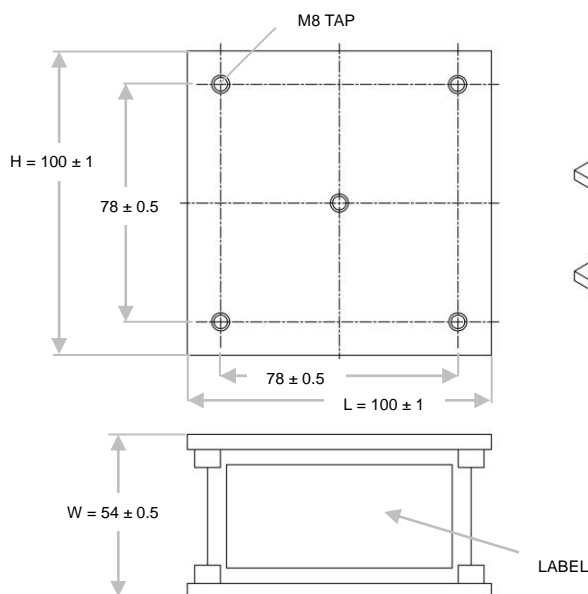
	STANDARD RATINGS					
<b>Vrms</b>	1000			900	700	500
<b>MFD at 1KHz</b>	0.33	0.50	0.66	1.33	2.60	5.00
<b>Current Irms</b>	600	700	700	950	1050	1200
<b>Power Kvar</b>	600	600	600	600	600	600
<b>Frequency KHz</b>	290	191-260	145-197	89-180	76-112	76
<b>Terminal Style</b>	M8	M8	M8	M8	M8	M8



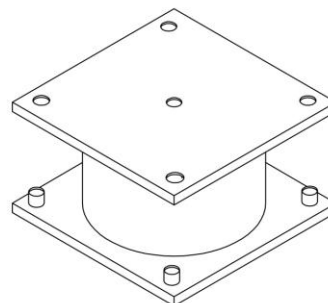
### KEY FEATURES

- Maximum Frequency 100 KHz
- Operating Temperature range -25°C to +85°C
- Low ESL & ESR
- Low loss Polypropylene dielectric
- Water flow rate 10 LPM
- Cooling: Conduction Cooled

### DIMENSIONS (mm)



**Terminal M8**



**Torque 20 Nm max.**