

STANDARD RATINGS

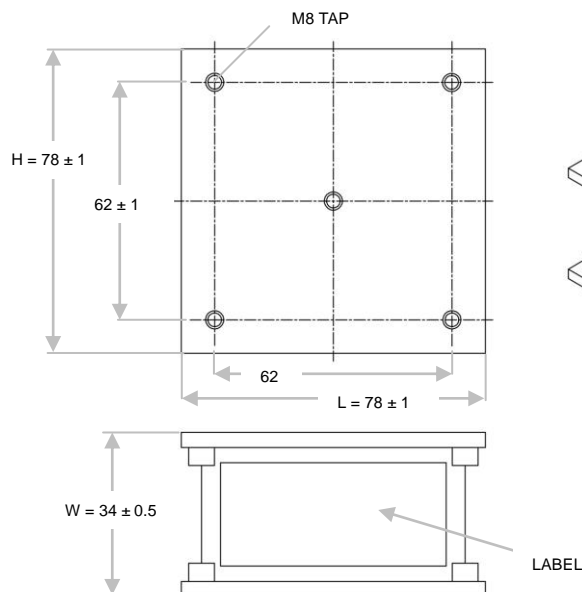
Vrms	1000		900		700	500
	MFD at 1KHz	0.33	0.66	1.20	1.32	2.60
Current Irms	600	600	850	850	950	1000
Power Kvar	400	400	400	400	400	400
Frequency KHz	194-433	95-216	66-239	58-215	51-138	50-80
Terminal Style	M8	M8	M8	M8	M8	M8



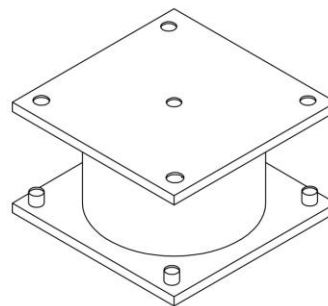
KEY FEATURES

- Maximum Frequency 1000 KHz
- Operating Temperature range -25°C to +85°C
- Low ESL & ESR
- Low loss Polypropylene dielectric
- Water flow rate 10 LPM
- Cooling: Conduction Cooled

DIMENSIONS (mm)



Terminal M8



Torque 20 Nm max.