

STANDARD RATINGS

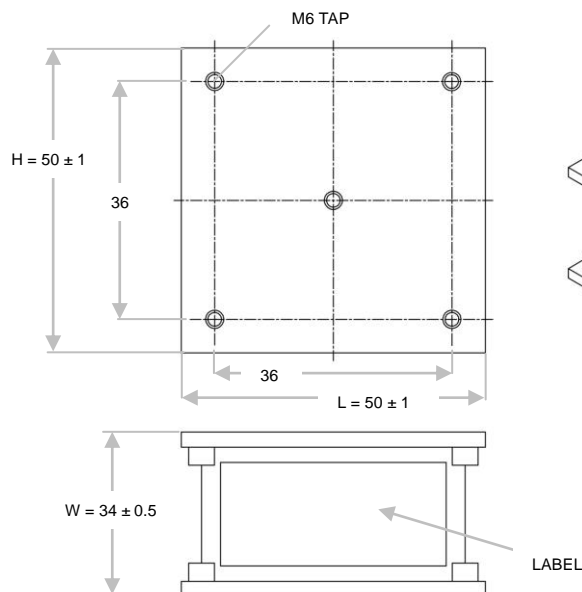
Vrms	1000		700			600			500
	MFD at 1KHz	0.10	0.20	0.25	0.33	0.66	1.00	1.20	1.32
Current Irms	350	500	500	500	500	650	650	650	650
Power Kvar	300	300	300	300	300	300	300	300	300
Frequency KHz	476-649	238-423	390-530	295-401	147-200	132-223	111-187	100-170	80-97
Terminal Style	M6	M6	M6	M6	M6	M6	M6	M6	M6



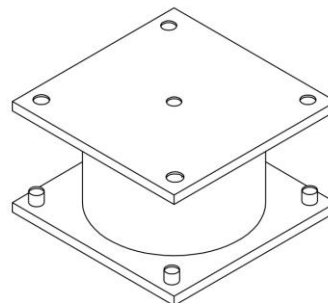
KEY FEATURES

- Maximum Frequency 700 KHz
- Operating Temperature range -25°C to +85°C
- Low ESL & ESR
- Low loss Polypropylene dielectric
- Water flow rate 10 LPM
- Cooling: Conduction Cooled

DIMENSIONS (mm)



Terminal M6



Torque 20 Nm max.