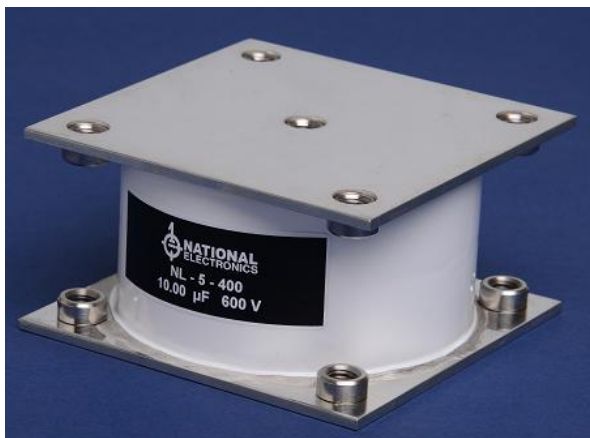


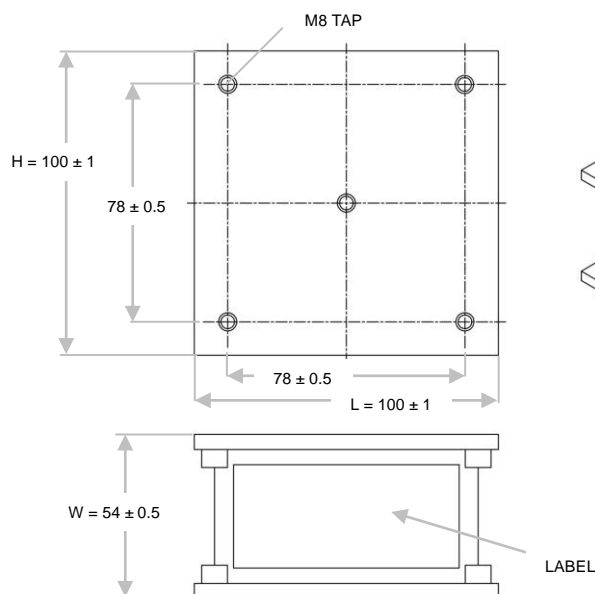
	STANDARD RATINGS				
Vrms	600			500	400
MFD at 1KHz	6.50	8.50	10.00	20.00	40.00
Current Irms	1000	1000	1000	1000	1000
Power Kvar	400	400	400	400	400
Frequency KHz	27-62	30-47	18-40	13-15	10
Terminal Style	M8	M8	M8	M8	M8



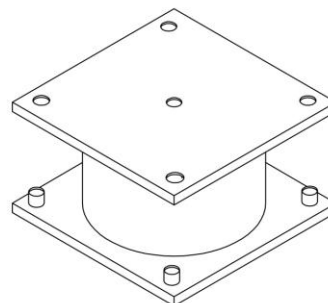
KEY FEATURES

- Maximum Frequency 100 KHz
- Operating Temperature range -25°C to +85°C
- Low ESL & ESR
- Low loss Polypropylene dielectric
- Water flow rate 10 LPM
- Cooling: Conduction Cooled

DIMENSIONS (mm)



Terminal M8



Torque 20 Nm max.