



CAPACITOR SPECIFICATION

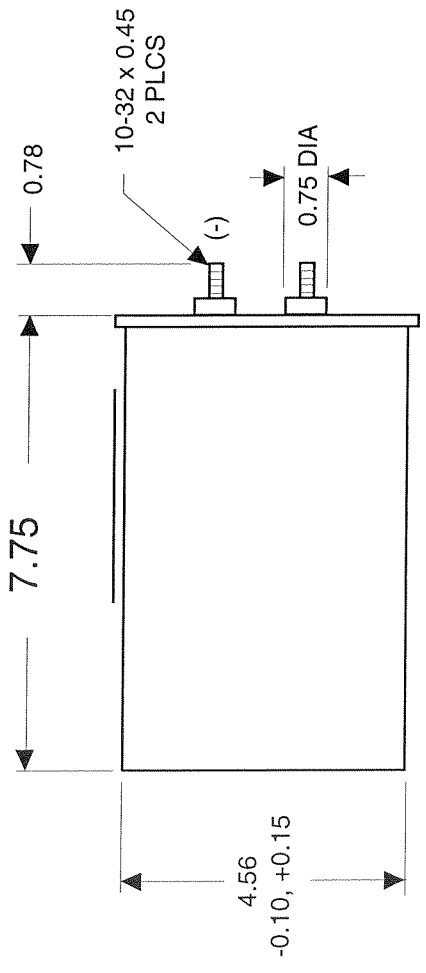
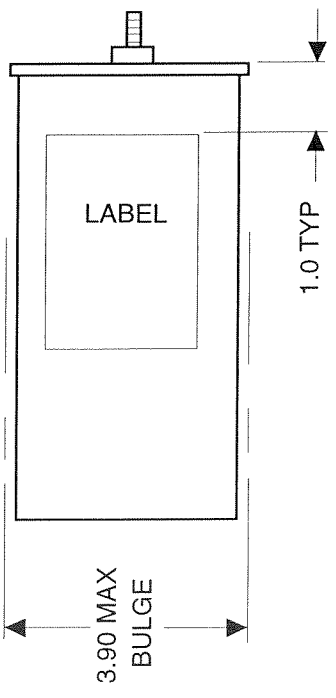
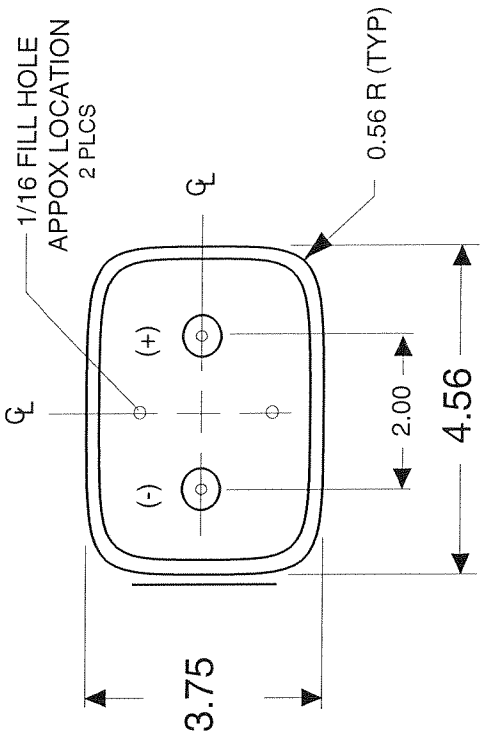
PART NUMBER: **30543**

PARAMETER	VALUE	UNITS	Q.A.	METHOD
CAPACITANCE:	100	uF	100%	120 Hz, R.T.*
TOLERANCE:	+10, -10	%		
RATED VOLTAGE:	2.0	kVdc		
TEST VOLTAGE:	2.2	kVdc	100%	60 sec HIPOT
RATED ENERGY:	200	Joules		
RATED VOLTAGE REVERSAL:	20	%		
MAX. VOLTAGE REVERSAL:	50	%		
MAX. PEAK CURRENT:	25	kA		
MAX. CONTINUOUS REP RATE:	50	pps		
MAX. RMS CURRENT	25	A		
MAX. OPERATING TEMP.	65	°C		
MIN. OPERATING TEMP.	-30	°C		
DESIGN LIFE AT RATED:	6.0E+06	charge / discharge cycles		
DC LIFE:	4.0E+04	hours		
RELIABILITY AT LIFE:	90	%		
MAX. DISSIPATION FACTOR	0.30	%	100%	120 Hz, R.T.*
APPROX. INDUCTANCE	160	nH		SAMPLE STANDING WAVE
MIN. INSULATION RESISTANCE	1000	Mohm-uF		SAMPLE DECAY Vr / R.T.* / 120s / 120s
CASE STYLE:	DRAWN METAL CAN			
BUSHING:	1/2" PILLAR			
ELECTRODE STUD:	10-32 UNF			
DIMENSIONS:	3.75 x 4.56 x 7.75	inches		
	95 x 116 x 197	mm		
WEIGHT:	8.4	lbs		
	3.8	kg		

- NOTES: **NOTE1:** LEAK TEST: 100 % test and inspection
- NOTE 2:** BTDP IMPREGNANT (non-PCB)
- NOTE 3:** HOLD TIME CAPABILITY 60 Seconds
- NOTE 4:** OPERATING POSITION IS ANY

*R.T. = room temperature

	SIZE A	FSCM 58307	DRAWING NUMBER 30543	REV LTR AC
			SHEET	2



GENERAL ATOMICS Energy Products		ELECTRONIC SYSTEMS 4949 GREENCRAIG LANE SAN DIEGO CA. 92123	
CONTRACT NUMBER DATE PREPARED CHECKED ENGINEER DESIGN ACTIVITY APPROVAL GOVERNMENT ACTIVITY APPROVAL		TITLE OUTLINE DRAWING PART No. 30543 100 uF ± 10 %, 2.0 kVDC	
DO NOT SCALE DRAWING UNLESS OTHERWISE SPECIFIED DIMENSIONS ARE IN INCHES .X ± .1 .XX ± .03 .XXX ± .010		SIZE A	REV LTR AC
PROJECT MANAGER PROJECT ENGINEER APPROVED CHECKED BY DRAWN BY J Bates		FSCM 58307	DRAWING NUMBER 30543
APPLICATION		SCALE NONE	DATE DATE
		PAGE 9 of 9	