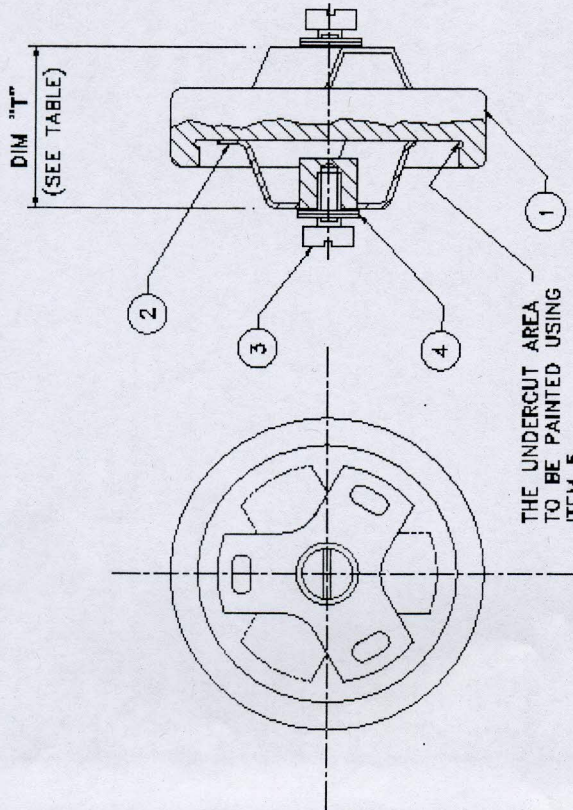


Dwg. No.
441/1/913---/----

3RD ANGLE PROJECTION

DRAWN IN ACCORDANCE WITH BS 308
DO NOT SCALE

This certificate drawing and copyright therein is the property of Morgan Electro Ceramics Ltd. It is to be used in any way not approved in writing by the company without the prior written consent of Morgan Electro Ceramics Ltd.



NOTES:
ITEM 2 SOLDERED TO ITEM 1
PAINTED IN 2 RECESSES
PRINT ON PERIPHERY
MEC
CAPACITANCE
CAP TOLERANCE
WORKING VOLTAGE
TYPE NUMBER & DATE CODE

ELECTRICAL SPECIFICATION
CAPACITANCE RANGE :- 150pF, 250pF, 350pF
CAP TOLERANCE :- ±10%, ±20% OR ±5%
MAX WORKING VOLTAGE :- 14KVpk
TEST VOLTAGE 50Hz/1 MIN :- 14KV rms
MAX RF CURRENT :- 30 AMPS rms
MAX WORKING TEMP :- 95°C

THE UNDERCUT AREA
TO BE PAINTED USING
ITEM 5

DRAWING NUMBER	DIMENSION	CAPACITANCE
441/1/91320/1--	43.0/45.0	200pF
441/1/91315/2--	45.0/47.0	150pF
441/1/91325/1--	41.0/43.0	250pF
441/1/91335/1--	39.0/41.0	350pF

ITEM No	DRAWING NUMBER	DESCRIPTION	No OFF	REMARKS
5	100/1394	EPOXY PAINT	AS REQD	PX 737C
4	441/2/97058/007	M6 WASHER	4	
3	441/2/97059/032	SCREW	2	M6 x 12LG
2	441/2/97049/001	SPIDER	2	
1	441/2/913---/----	CERAMIC BODY	1	

Morgan Electro Ceramics Marshall Ind. Est., Bardon, Warrington, L114 8HT. Tel. 044 01978 810458 Fax. 044 01978 824503	Material	Finish	PAINTED			
	Tolerance	U.O.S	Drawn	R.N.	Checked	D.E.
81.0 DIAMETER DISC POWER CAPACITOR	Dimensions	In mm	Reference	Drawn	Done	05/02/04
	Scale	N.T.S.	Dwg. No.	441/1/913---/----		

1	Original Issue	4	5
Transferred From Added To Cad		To Drawing	
03/02/04		16/06/08	