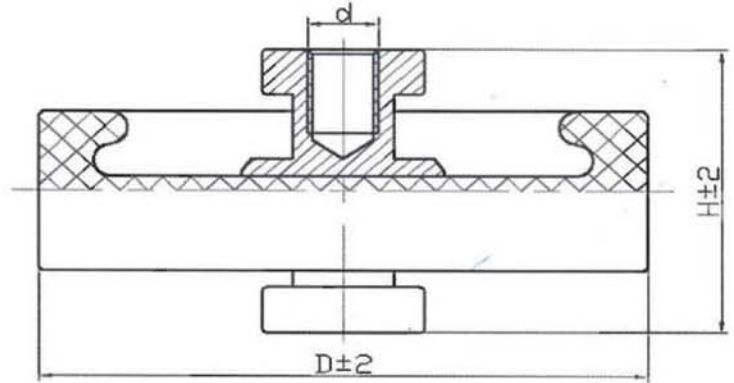


© 2014 RICHARDSON ELECTRONICS, LTD AND ITS AFFILIATES RESERVE THE RIGHT TO MAKE CHANGES TO THE PRODUCT(S) OR INFORMATION CONTAINED HEREIN WITHOUT NOTICE. RICHARDSON ELECTRONICS ASSUMES NO RESPONSIBILITY FOR ANY ERRORS WHICH MAY APPEAR IN THIS DOCUMENT. NO PART OF THIS DOCUMENT MAY BE COPIED OR REPRODUCED IN ANY FORM OR BY ANY MEANS WITHOUT THE PRIOR WRITTEN CONSENT OF RICHARDSON ELECTRONICS, LTD.



Model	Capacitance (pF)	Tolerance	Maximum Voltage (kVDC)	Maximum Power (kVAr)	Dimensions (mm)		
					D	H	d
CCG81-1	50	10%	15	10	45	55	M6
	100		15	18	60	39	
	150		15	12	60	38	
	200		8	15	60	34	
	300		12	8	60	33	
	400		7	8	60	32	
	450		7	8	60	31	
500	10	8	60	31			
CCG81-2	100	10%	13	15	80	39	M6
	200		15	30	80	37	
	300		15	30	80	35	
	500		15	15	80	34	
	900		7	15	80	33	
	1000		7	15	80	32	
1500	10	20	90	31			
CCG81-3	300	10%	25	90	110	54	M8
	400		25	90	110	53	
	500		15	90	110	48	
	1000		10	30	110	46	
	1500		7	30	110	44	
	2500		3.3	30	110	43	
CCG81-4	500	10%	25	90	140	50	M8
	800		25	90	140	49	
	1000		20	100	140	50	
	1500		15	90	140	46	
	2000		10	90	140	45	
CCG81-5	500	10%	25	120	150	51	M8
	1500		21	120	160	48	
CCG81-6	2000	10%	20	120	160	46	M8
	2500		10	90	160	45	
	3000		10	90	160	44	
CCG81-7	100	10%	30	300	200	53	M10
	1500		25	250	200	50	
	2500		20	200	200	47	
	3000		20	200	200	47	
	5000		12	150	200	45	
	6000		12	150	200	45	