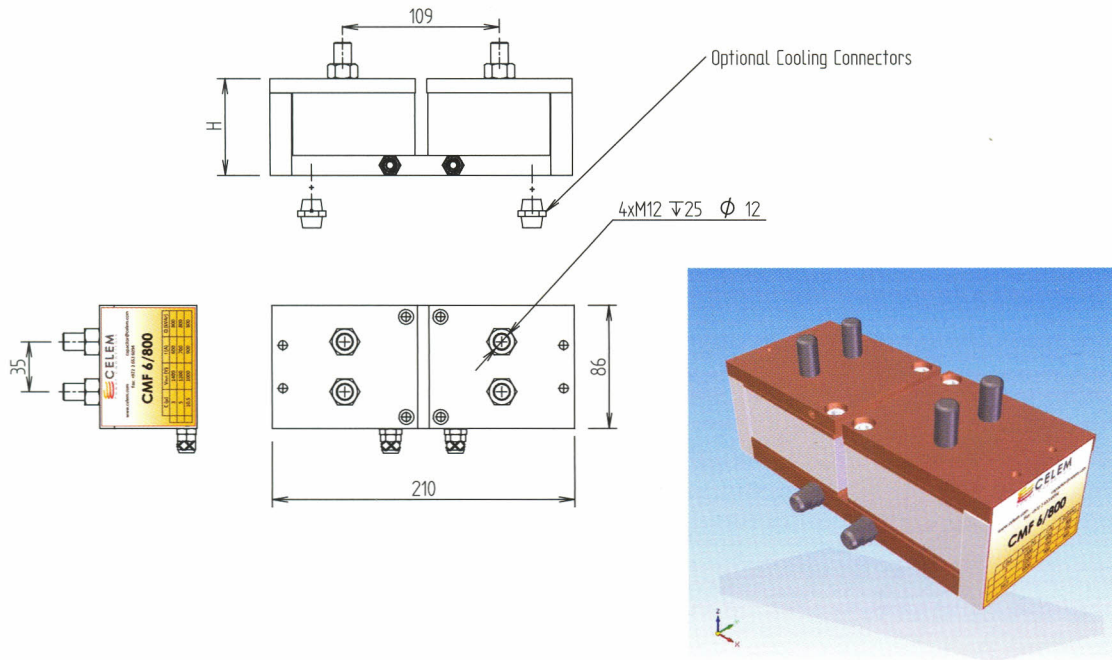


CMF 6 / 800

Water-cooled capacitor

Technology Patented Worldwide



The CMF 6/800 water-cooled capacitor is similar to the CMF 6 Flat but provides superior power capabilities of up to 800kVAR at 1000-1400Vrms.

Specifications

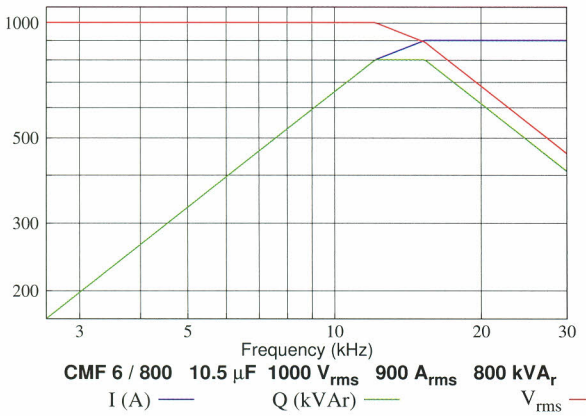
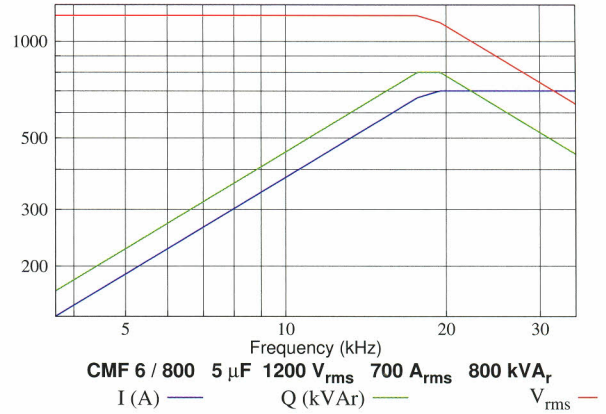
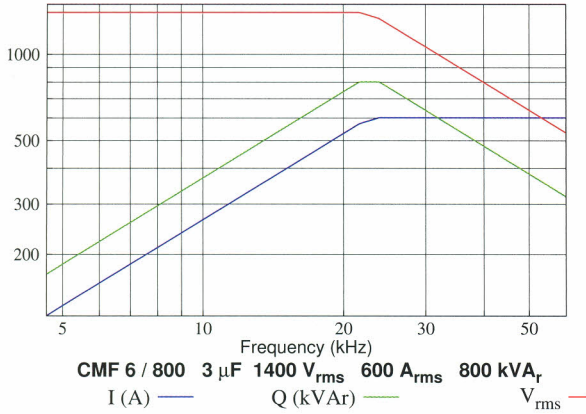
TYPE		CMF 6 / 800		
Dimensions (L x W x H)	mm	210 x 86 x 67.5		
Weight	kg	5		
Capacitance ($\pm 10\%$)	μF	3	5	10.5
Sinusoidal Voltage	V_{rms}	1400	1200	1000
Peak Voltage	\hat{V}	1980	1700	1410
Max. Current	A_{rms}	600	700	900
Max. Power	kVA _r	800		
Freq Range @ Full Power	kHz	22-24	18-19	12-15
Freq Limit	kHz	60	35	30

Celem Power Capacitors

CMF 6 / 800

Water-cooled capacitor

Technology Patented Worldwide



Medium Frequency Products 3 - 50 kHz