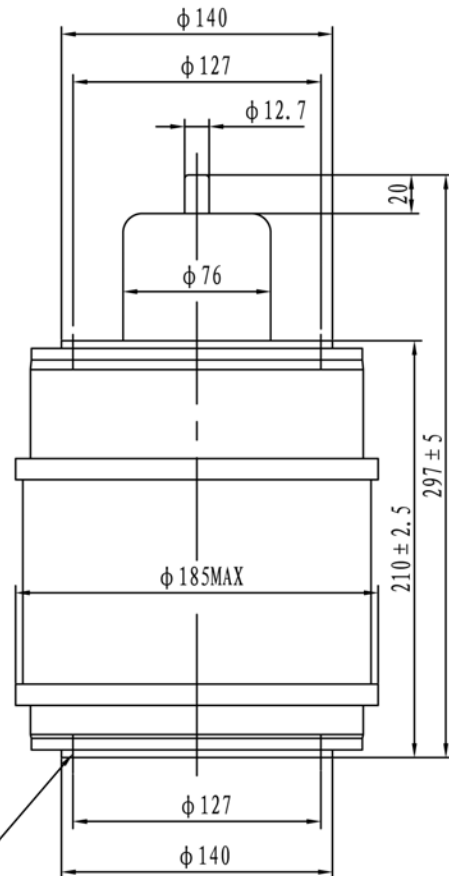
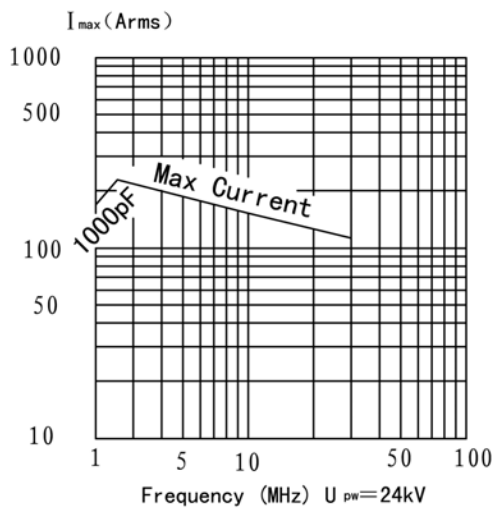
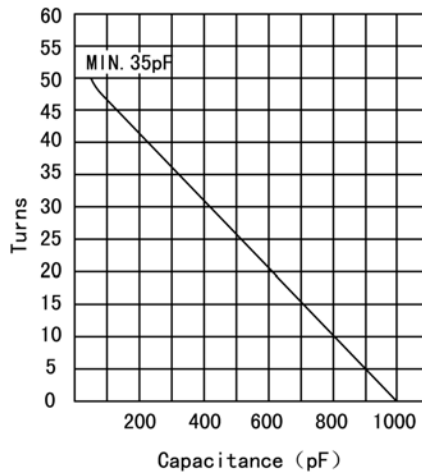


Specification	
Capacity C_{max} (nominal)	1000pF
Capacity C_{min} (nominal)	35pF
Voltage (Peak Test U_{pt} /Peak Working U_{pw})	40kV/24kV
Capacity tolerance (liner Range)	10%
Max. Current I_{max} at 1.8MHz with	225Arms
Conduction Cooling	
Capacitance per turn	22pF/turn
Torque	$\leq 1.2Nm$
Net Weight	10kg



1/4-20 UNC-2B 7 THDS.MIN.
6 HOLES EQ.SP.BOTH END