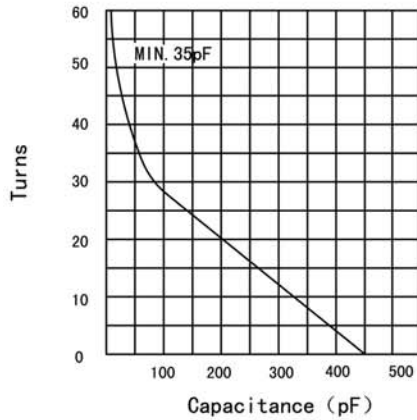
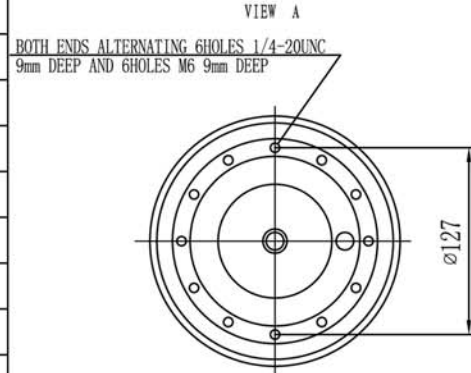


Specification	
Capacity C_{max} (nominal)	450pF
Capacity C_{min} (nominal)	15pF
Voltage (Peak Test U_{pt})	55kV/50kV
Voltage (Peak Working U_{pw})	33kV/30kV
Capacity tolerance (liner Range)	10%
Max. Current I_{max} at 13.56MHz with	137Arms
Conduction Cooling	
Capacitance per turn	11.4pF/turn
Torque	$\leq 1.5Nm$
Net Weight	9kg



I_{max} at 25°C ambient and 125°C surface temp. for convection cooling

