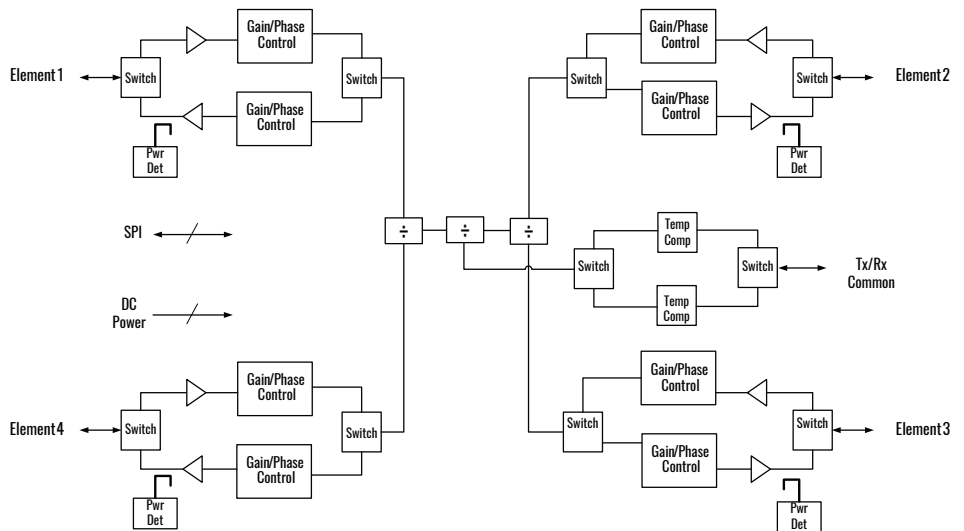


## Product Features

- 26.5 - 29.5 GHz operation
- Supports 4 radiating elements
- Tx/Rx half duplex operation
- +14 dBm Tx OP1dB (adjustable)
- +25 dB Tx gain
- +32 dB Rx coherent gain\*
- 5.5 dB Rx NF
- -21 dBm Rx IIP3
- 6 bit phase control (LSB=11.25°)
- 5 bit gain control (LSB=1.0 dB)
- Fast beam steering
- Telemetry reporting
- 3.6 mm x 3.6 mm WLCSP
- Dual supply (1.8V/2.5V) operation
- 1.7 W DC Tx mode quiescent
- 1.3 W DC Rx mode

## Block Diagram



## Applications

5G communications antenna arrays

## General Description

The AWMF-0157 is a highly integrated silicon quad core IC intended for 5G phased array applications. The device supports four Tx/Rx radiating elements, includes all requisite beam steering controls for phase and gain control, and operates in half duplex fashion to enable a single antenna to support both Tx and Rx operation. The device provides 25 dB gain and +14 dBm adjustable output power during transmit mode and 32 dB coherent gain, 5.5 dB NF, and -21 dBm IIP3 during receive mode. Additional features include gain compensation over temperature, temperature reporting, Tx power telemetry, and fast beam switching using on-chip beam weight storage registers. The device features ESD protection on all pins, operates from +1.8 V and +2.5 V supplies, and is packaged in a 3.6 mm x 3.6 mm WLCSP (wafer level chip scale package) for easy flip chip installation in planar phased array antennas.