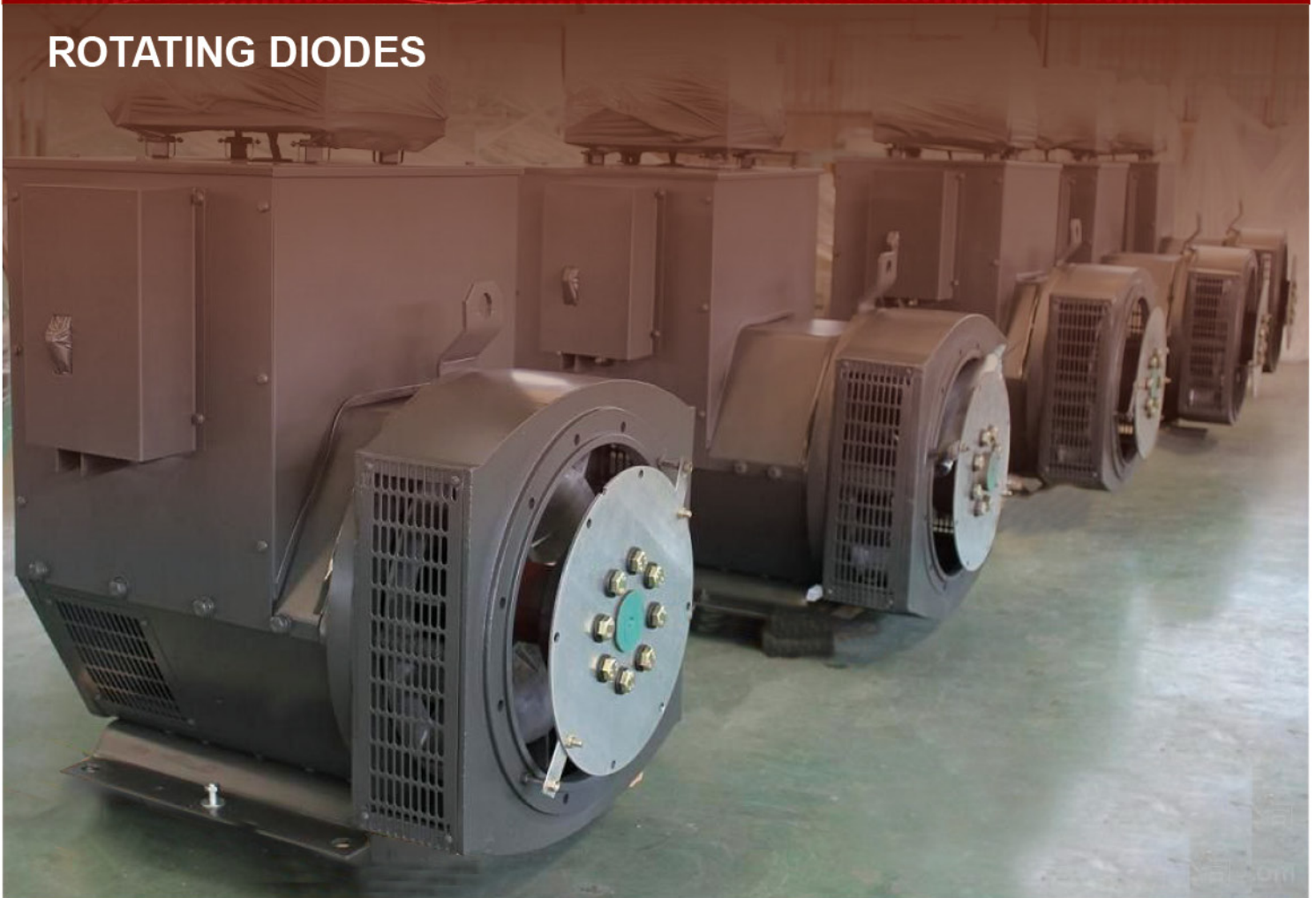


PRODUCT BRIEF

ROTATING DIODES



FEATURES

Rotating Diodes

- High acceleration withstanding capacity in rotation
- Designed and qualified for industrial level
- Stud anode and stud cathode version
- High surge current capabilities

Reference Customer



ALSTOM



MarelliMotori



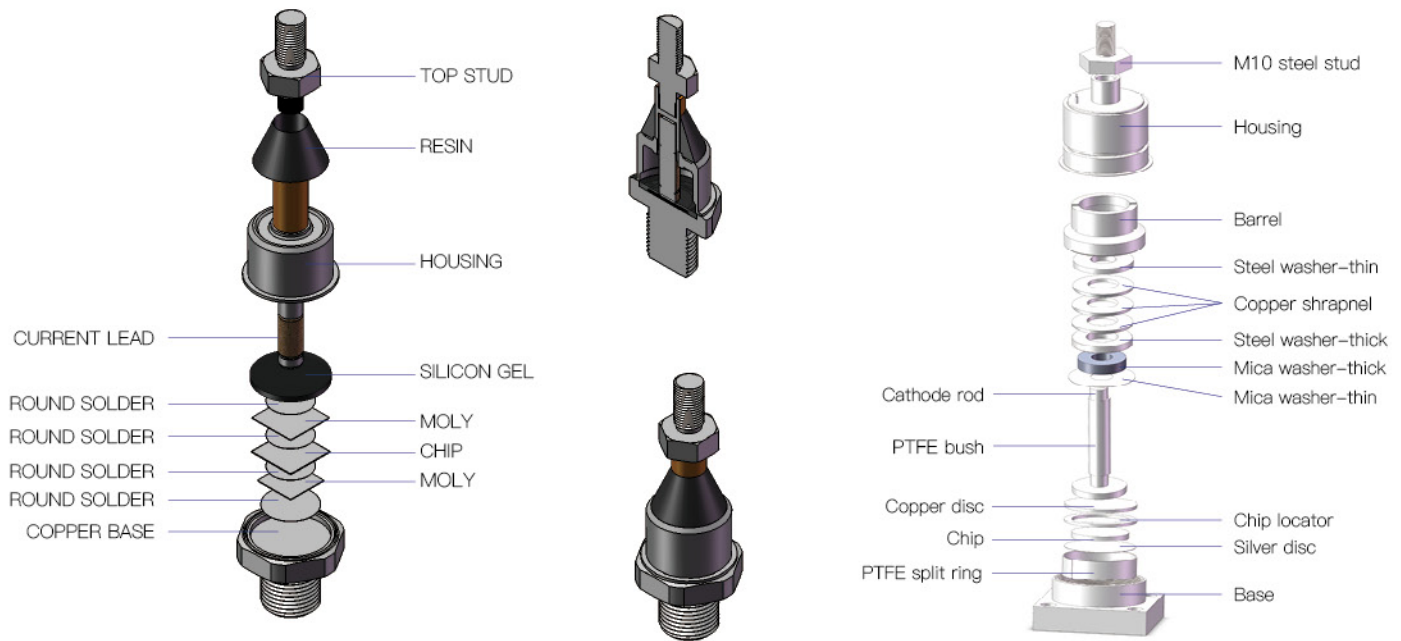
LEROY-SOMER™

APPLICATIONS

- Rotating Excitation
- Brushless Generator
- Alternator



STRUCTURE CHART



ROTATING DIODES

Type	V_{RRM} [V] $V_{RSM}=V_{RRM}+100V$	I_{FAVM} / T_C [A / °C] @180° Sine	I_{FSM} [A] @ 10ms T_{jmax}	$\int i^2 t$ [A ² S] @ 10ms T_{jmax}	V_F / I_F [V / A] T_{jmax}	$V_{F(TO)}$ [V] @ T_{jmax}	r_{FT} [mΩ] @ T_{jmax}	R_{thJC} [°C/W] @180° Sine	T_{jmax} [°C]
MS D26N/R	1800	25 / 125	320	512	1.63 / 78	0.85	10.00	1.50	180
MS D72N/R	800	70 / 125	1100	6050	1.32 / 220	0.77	2.00	0.40	180
MS D81N/R	1600	80 / 125	1500	11250	1.40 / 220	0.80	2.70	0.42	180
MS D131N/R	1800	130 / 125	2000	20000	1.48 / 500	0.85	1.30	0.35	180
MS D136N/R	1800	130/125	2000	20000	1.53 / 520	0.85	1.30	0.35	180
MS D154N/R	1600	150 / 130	3600	64800	1.25 / 470	0.82	0.90	0.28	180
MS D246N/R	1600	240/125	5000	125000	1.40 / 750	0.85	0.60	0.19	180
MS D301N/R	2400	300 / 120	6050	183000	1.46 / 942	0.90	0.59	0.14	180
MS D330N/R	1600	330 / 125	8250	340000	1.22 / 942	0.77	0.49	0.14	180
MS D606N/R	1600	600/ 100	13000	845000	1.44 / 1800	0.82	0.30	0.093	180
MS D607N/R	2700	600 / 54	10500	551000	1.44 / 1500	0.88	0.40	0.1	150
MS D844N/R	2700	840 / 100	20000	2000000	1.45 / 2500	0.78	0.25	0.068	175

MSpower

Mergenthalerallee 79-81 | 65760 Eschborn | Germany
 Telefon: +49 (0) 6196/7768 666
 info@mspowergroup.de

