



Document	Document Number	Revision	Date
Spec Sheet	FAB115125A01	A	23-Jan-2020

## BPF

**P/N : FAB115125A01**

### Contents

1. Electrical Specifications
2. Simulation Data
3. Mechanical Specification

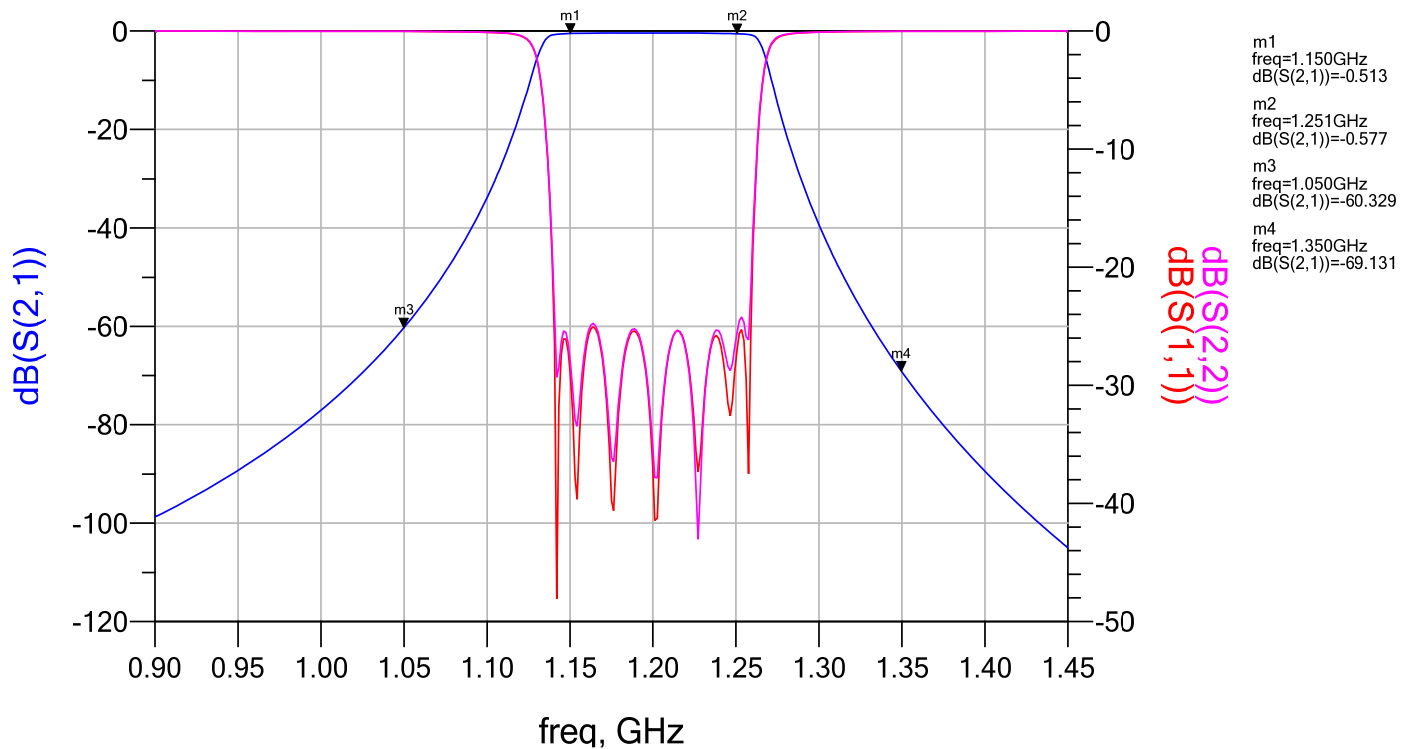
Revision	Description	Date
A	Initial Release	23-Jan-2020

Document	Document Number	Revision	Date
Spec Sheet	FAB115125A01	A	23-Jan-2020

## 1. Electrical Specifications

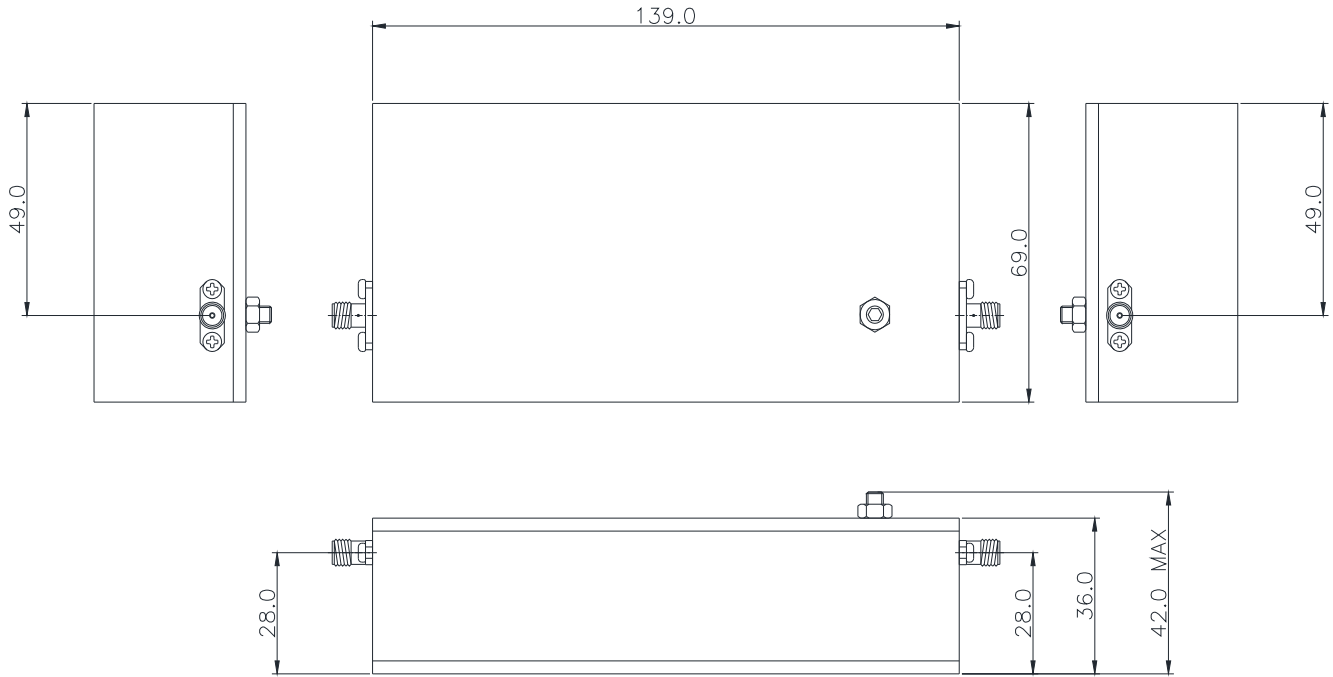
Parameter	Specification	Simulation	Proposal
Pass Band	1150~ 1250MHz	1150~ 1250MHz	OK
Insertion Loss	2.0dB max.	0.57	OK
Return Loss	20.0 dB min	22.0	OK
Attenuation	50.0dB min @DC ~ 1050MHz	60.32	OK
	50.0dB min @1350MHz ~ 4000MHz	69.13	OK
Input Output Impedance	50Ω	-	OK
Power Handling	2W CW	-	OK
Operating temperature	+15~+35		OK

## 2. Simulation Data



Document	Document Number	Revision	Date
Spec Sheet	FAB115125A01	A	23-Jan-2020

### 3. Mechanical Specification



Parameter	Specification	Proposal
Dimension	139.0x 69.0 x 42.0 Max (Unit : mm)	OK
Mounting Points	See Outline Drawing	OK
RF Connector	SMA Female	OK
Connector Position	See Outline Drawing	OK
Finish	Black Color Epoxy Coating	OK