



Document	Document Number	Revision	Date
Spec Sheet	FAB16401720A01	A	02-Dec-2020

BPF

P/N: FAB16401720A01

Contents

1. Electrical Specifications
2. Simulation Data
3. Mechanical Specification

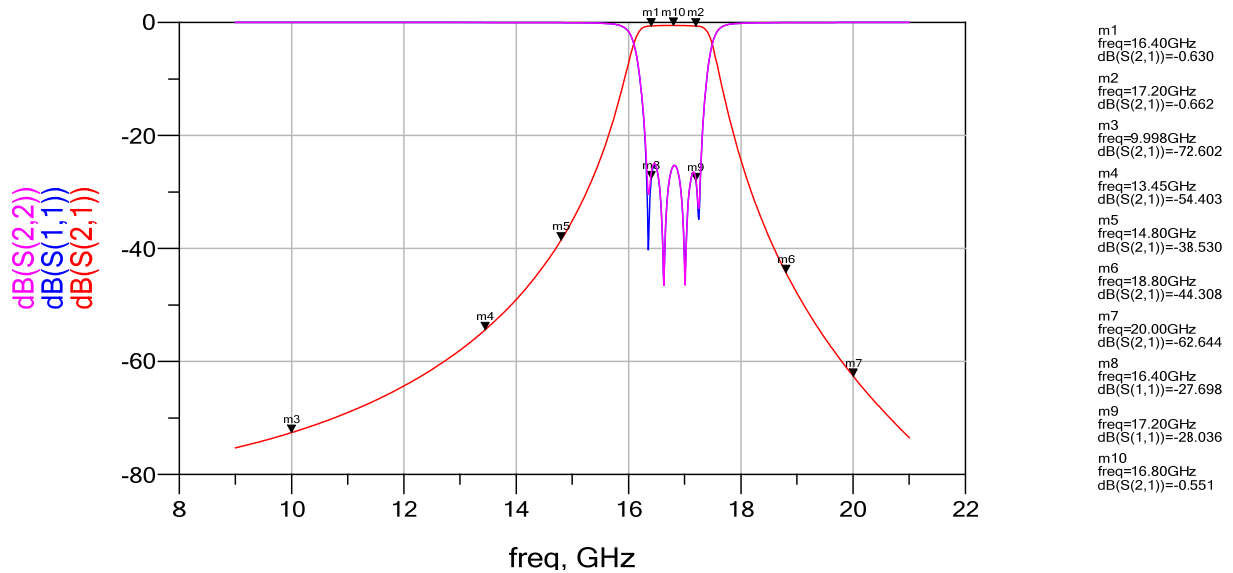
Revision	Description	Date
A	Initial Release	02-Dec-2020

Document	Document Number	Revision	Date
Spec Sheet	FAB16401720A01	A	02-Dec-2020

1. Electrical Specifications

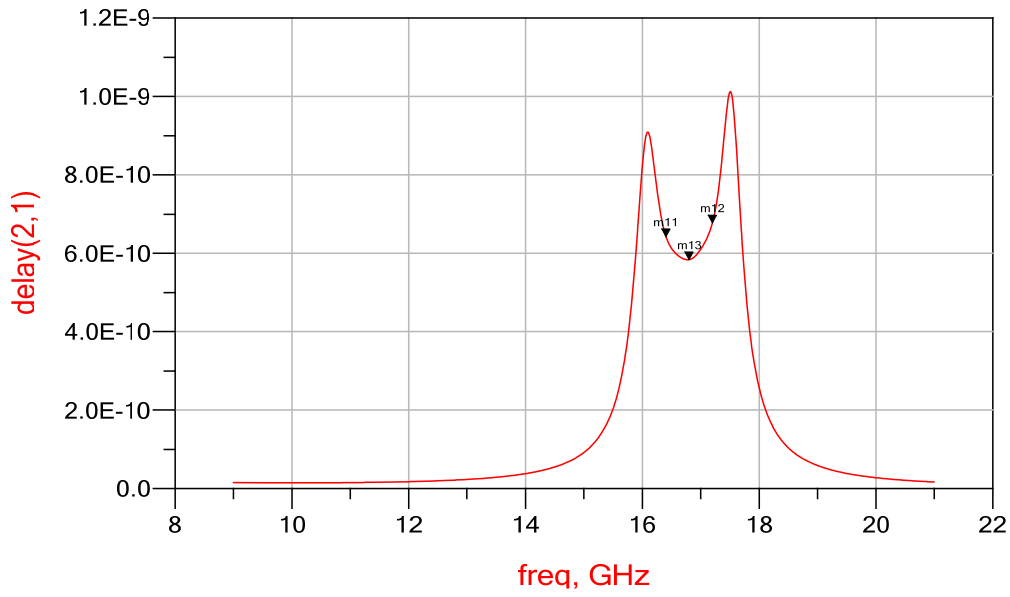
Parameter	Specification	Simulation	Proposal
Pass Band	16400MHz ~ 17200MHz	-	-
Insertion Loss	2.5dB max.	0.66	OK
Return Loss	1.5 : 1 max.	20.0	OK
Rejection	50dBc @ DC ~ 10000MHz min.	72	OK
	33dBc @ 13450MHz min.	54	OK
	23dBc @ 14800MHz min.	38	OK
	23dBc @ 18800MHz min.	44	OK
	33dBc @ 20000MHz min.	62	OK
	50dBc @ 24000 ~ 40000MHz min.	-	50dBc @ 24000 ~ 29000MHz min.
Group Delay Variation	2ns max.	0.9	OK
Operating Temperature	-20°C ~ +70°C	-	OK

2. Simulation Data





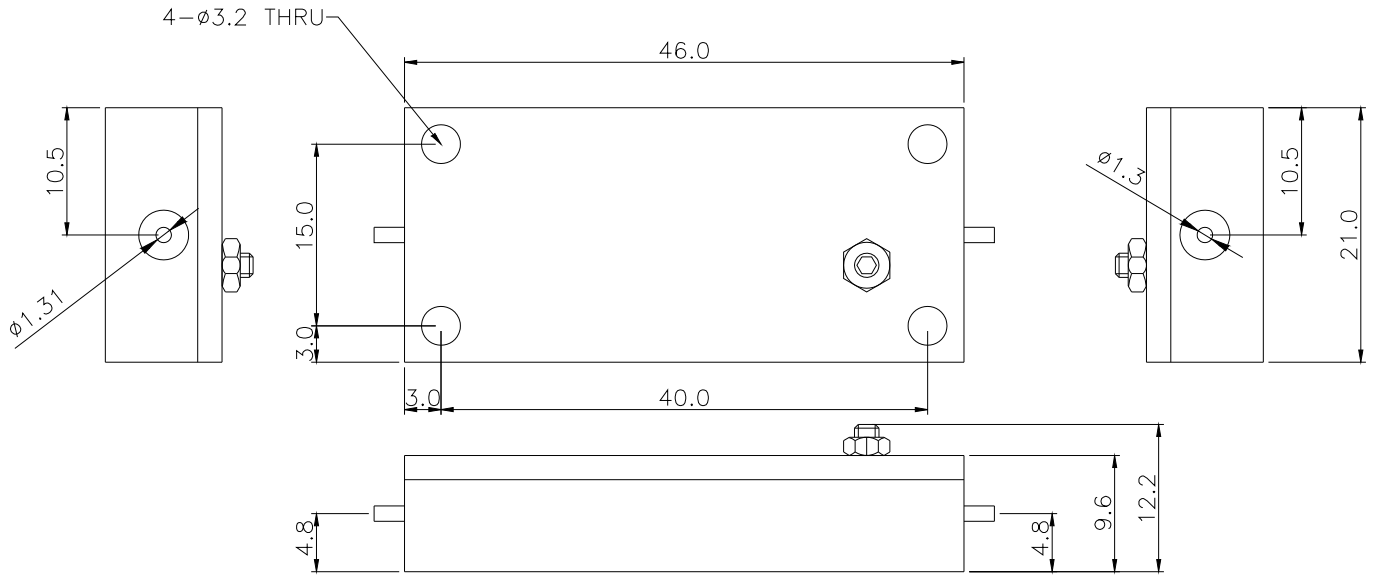
Document	Document Number	Revision	Date
Spec Sheet	FAB16401720A01	A	02-Dec-2020



m11
freq=16.40GHz
delay(2,1)=6.422E-10
m12
freq=17.20GHz
delay(2,1)=6.775E-10
m13
freq=16.80GHz
delay(2,1)=5.836E-10

Document	Document Number	Revision	Date
Spec Sheet	FAB16401720A01	A	02-Dec-2020

3. Mechanical Specification



Parameter	Specification
Dimension	46.0x21.0x12.2 mm
RF Connection	Drop-in
Finish	Silver Plated