



| Document   | Document Number | Revision | Date        |
|------------|-----------------|----------|-------------|
| Spec Sheet | FAB403415A01    | B        | 09-Sep-2020 |

## BPF

**P/N : FAB403415A01**

### Contents

1. Electrical Specifications
2. Simulation Data
3. Mechanical Specification

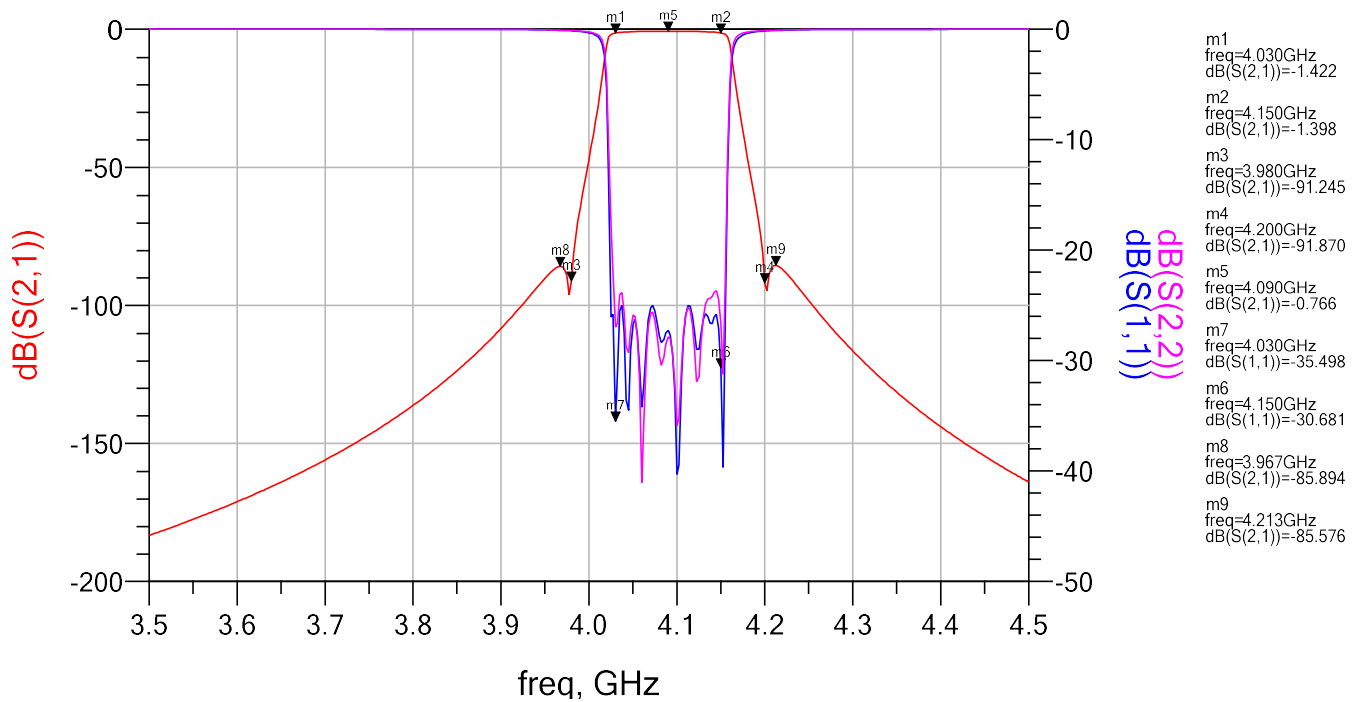
| Revision | Description           | Date        |
|----------|-----------------------|-------------|
| A        | Initial Release       | 02-Sep-2020 |
| B        | Specification Changed | 09-Sep-2020 |
|          |                       |             |
|          |                       |             |

|            |                 |          |             |
|------------|-----------------|----------|-------------|
| Document   | Document Number | Revision | Date        |
| Spec Sheet | FAB403415A01    | B        | 09-Sep-2020 |

## 1. Electrical Specifications

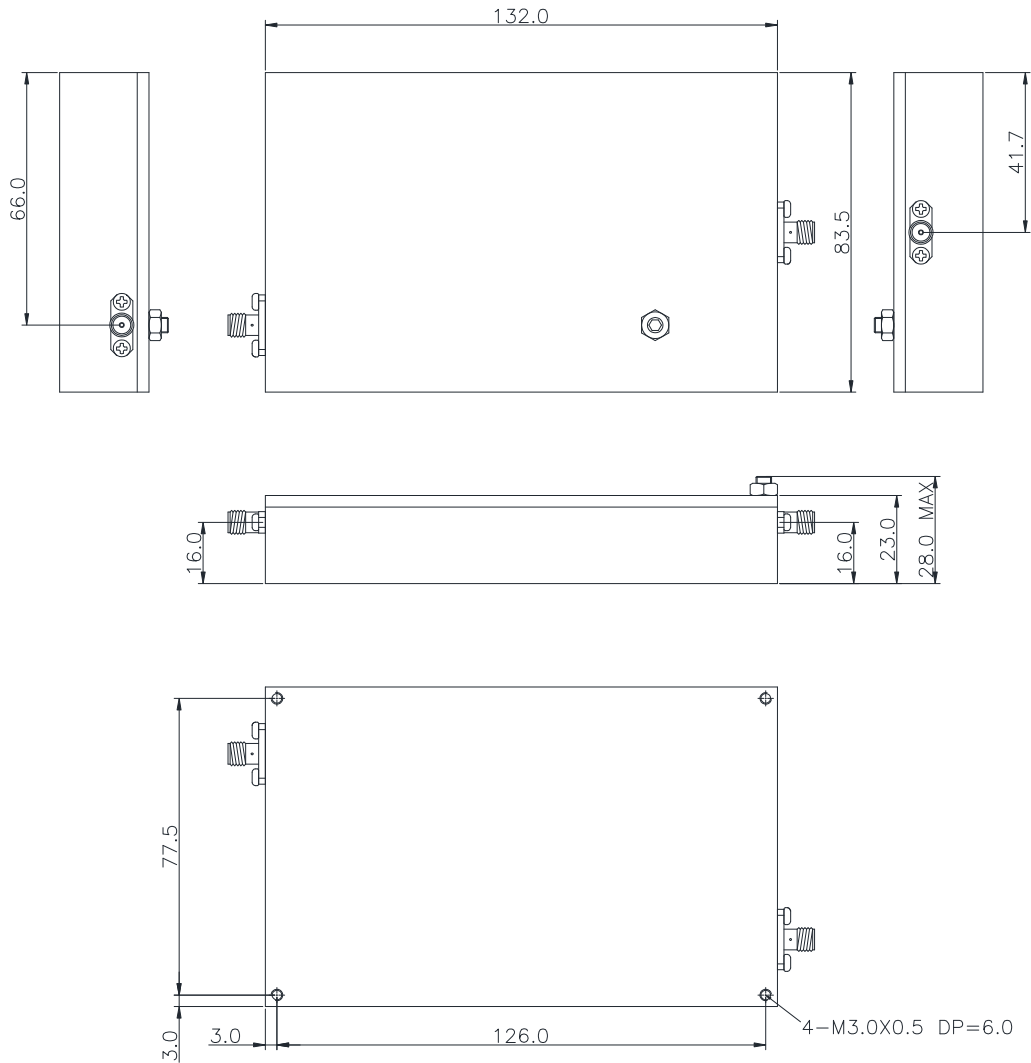
| Parameter              | Specification                 | Simulation    | Proposal                      |
|------------------------|-------------------------------|---------------|-------------------------------|
| Pass Band              | 4030~ 4150MHz                 | 4030~ 4150MHz | OK                            |
| Insertion Loss         | 1.0dB max.                    | 1.42          | 1.6dBmax                      |
| Return Loss            | -                             | -             | 18dB min                      |
| Attenuation            | 100.0dB min @ DC ~ ~4000MHZ   | 85            | 80.0dB min @ DC ~ ~3980MHZ    |
|                        | 100.0dB min @ 4180~ ~12750MHZ | 85            | 80.0dB min @ 4200 ~ ~12750MHZ |
| Temperature            | -30°C - +70°C                 | -             | OK                            |
| Input Output Impedance | 50Ω                           | -             | OK                            |
| Power Handling         | 100W CW                       | -             | OK                            |

## 2. Simulation Data



|            |                 |          |             |
|------------|-----------------|----------|-------------|
| Document   | Document Number | Revision | Date        |
| Spec Sheet | FAB403415A01    | B        | 09-Sep-2020 |

### 3. Mechanical Specification



| Parameter          | Specification               | Proposal               |
|--------------------|-----------------------------|------------------------|
| Dimensions         | -                           | 132.0x 83.5 x 28.0 Max |
| Mounting Points    | See Outline Drawing         | OK                     |
| RF Connector       | IN-SMA Type, TX,RX-SMA Type | OK                     |
| Connector Position | See Outline Drawing         | OK                     |
| Finish             | Black Color Epoxy Coating   | OK                     |