



Document	Document Number	Revision	Date
Spec Sheet	FAB490600A01	A	04-Oct-2019

BPF

P/N : FAB490600A01

Contents

1. Electrical Specifications
2. Simulation Data
3. Mechanical Specification

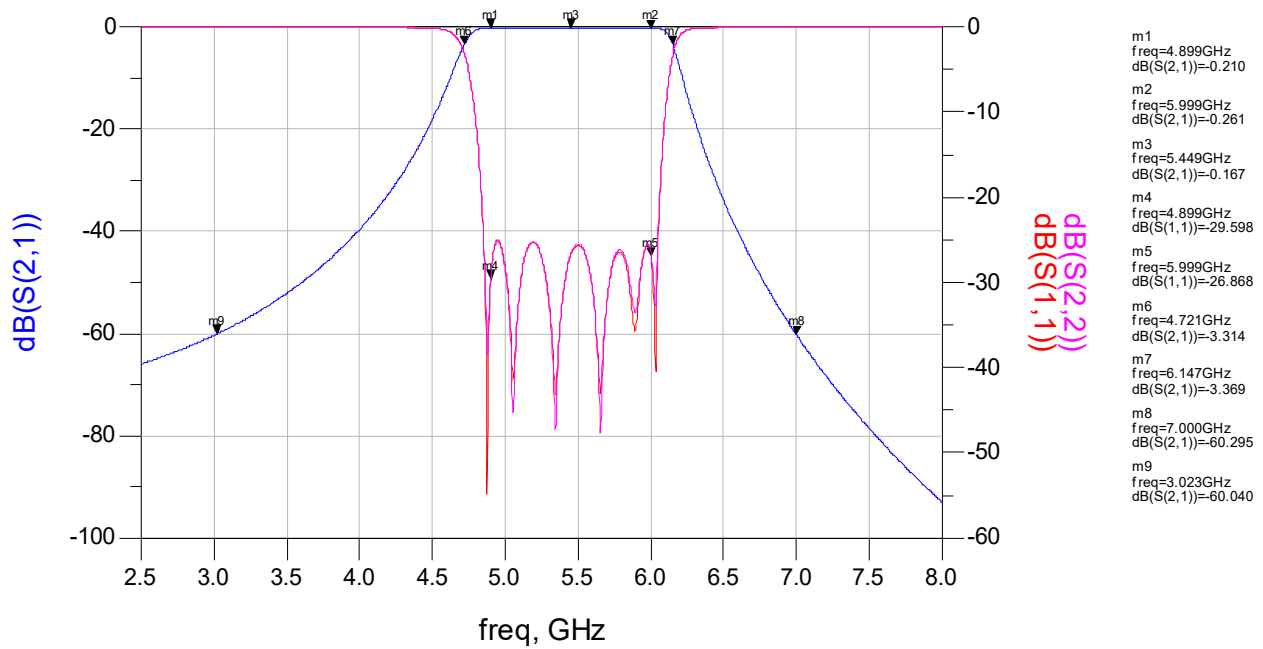
Revision	Description	Date
A	Initial Release	04-Oct-2019

Document	Document Number	Revision	Date
Spec Sheet	FAB490600A01	A	04-Oct-2019

1. Electrical Specifications

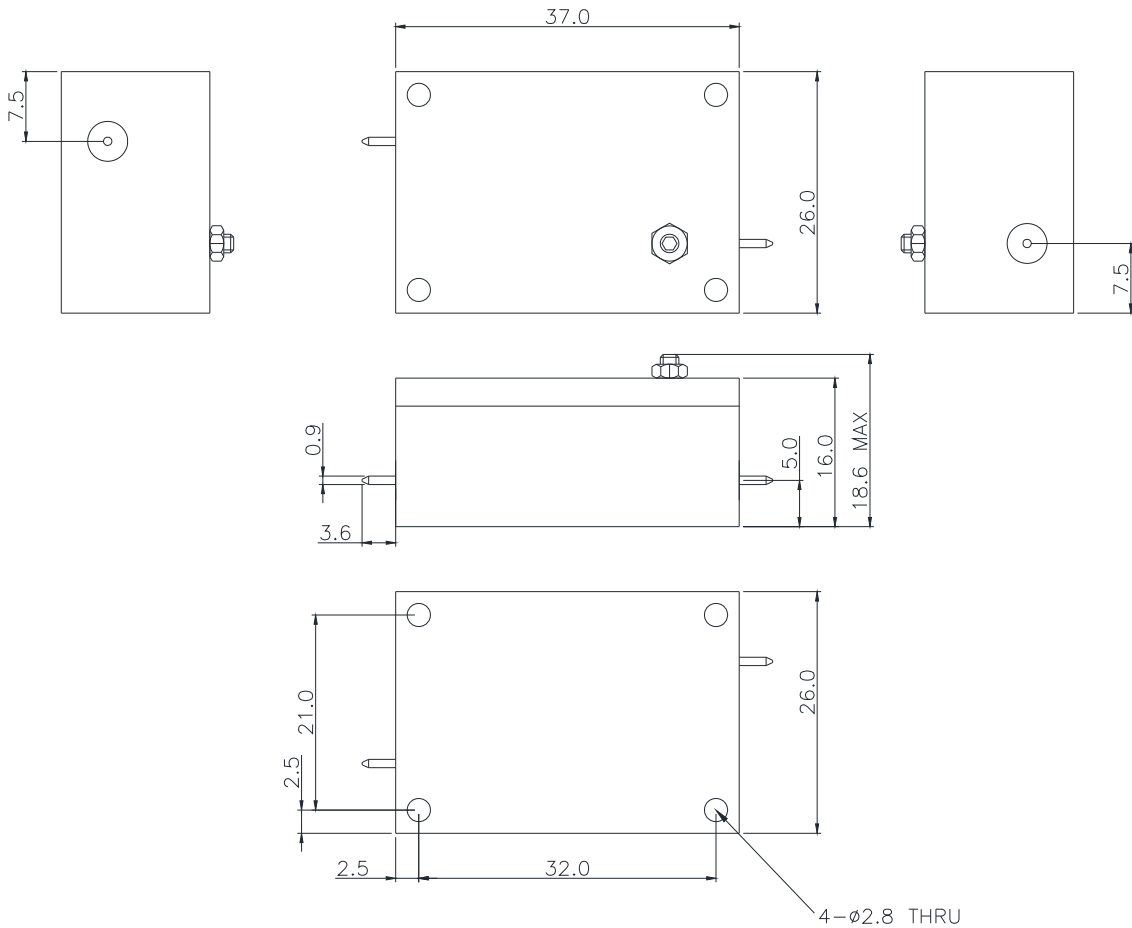
Parameter	Specification	Simulation	Proposal
Pass Band	4900~ 6000MHz	4900~ 6000MHz	OK
Insertion Loss	1.0dB max.	0.26	OK
Return Loss	Suggest	23	OK
	60.0dB min @ Suggest	60.29	3023MHz
Attenuation	3.0dB min @ Suggest	3.31	4721MHz
	3.0dB min @ Suggest	3.38	6147MHz
	60.0dB min @ Suggest	60.04	7000MHz
Input Output Impedance	50Ω	-	OK
Power Handling	10W CW	-	OK

2. Simulation Data



Document	Document Number	Revision	Date
Spec Sheet	FAB490600A01	A	04-Oct-2019

3. Mechanical Specification



Parameter	Specification	Proposal
Dimension	37.0x 26.0 x 18.6.0 Max (Unit : mm)	OK
Mounting Points	See Outline Drawing	OK
RF Connector	Dropin Type	OK
Connector Position	See Outline Drawing	OK
Finish	Black Color Epoxy Coating	OK