



Document	Document Number	Revision	Date
Spec Sheet	FAB512526A01	A	09-Sep-2020

## BPF

**P/N : FAB512526A01**

### Contents

1. Electrical Specifications
2. Simulation Data
3. Mechanical Specification

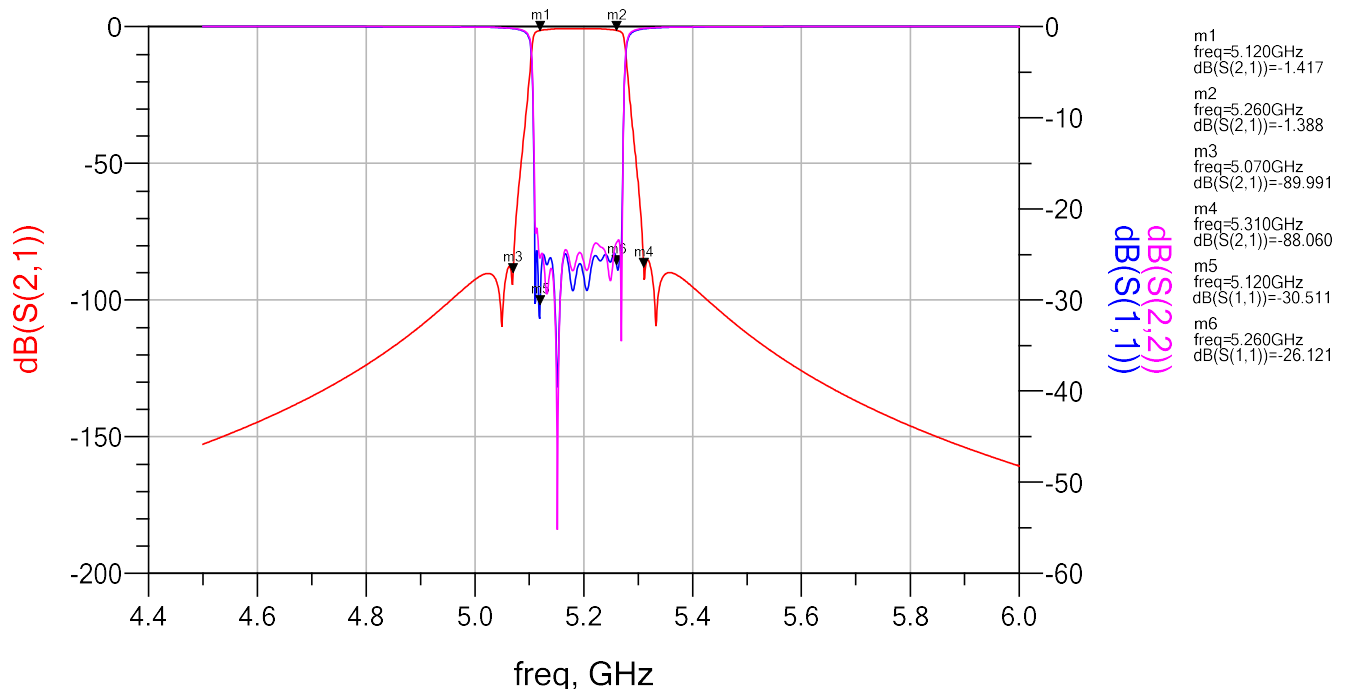
Revision	Description	Date
A	Initial Release	09-Sep-2020

Document	Document Number	Revision	Date
Spec Sheet	FAB512526A01	A	09-Sep-2020

## 1. Electrical Specifications

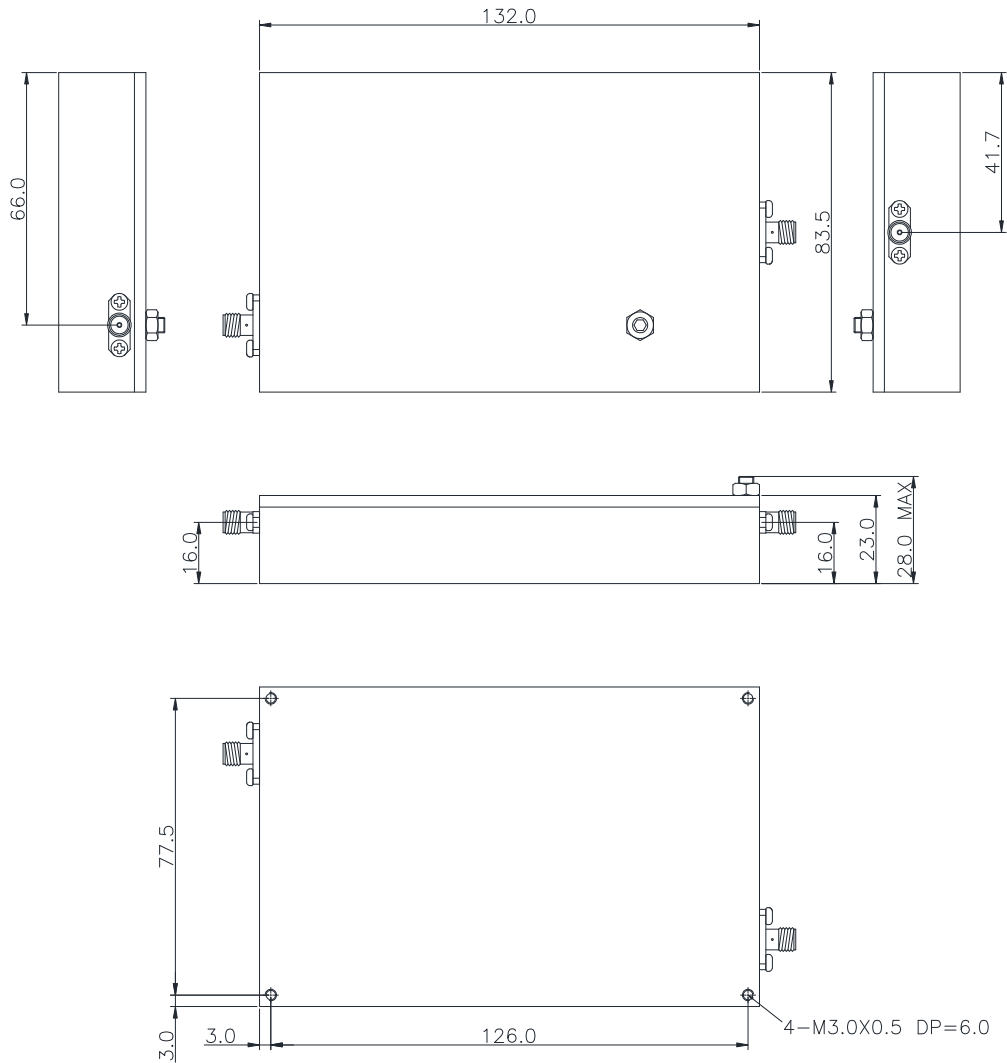
Parameter	Specification	Simulation	Proposal
Pass Band	5120~5260MHz	5120~5260MHz	OK
Insertion Loss	1.0dB max.	1.41	1.6dBmax
Return Loss	-	-	18dB min
Attenuation	100.0dB min @ DC ~ ~5100MHZ	106	80.0dB min @ DC ~ ~5070MHZ
	100.0dB min @ 5240~ ~12750MHZ	107	80.0dB min @ 5310 ~ ~12750MHZ
Temperature	-30°C - +70°C	-	OK
Input Output Impedance	50Ω	-	OK
Power Handling	100W CW	-	OK

## 2. Simulation Data



Document	Document Number	Revision	Date
Spec Sheet	FAB512526A01	A	09-Sep-2020

### 3. Mechanical Specification



Parameter	Specification	Proposal
Dimensions	-	132.0x 83.5 x 28.0 Max
Mounting Points	See Outline Drawing	OK
RF Connector	IN-SMA Type, TX,RX-SMA Type	OK
Connector Position	See Outline Drawing	OK
Finish	Black Color Epoxy Coating	OK