



Document	Document Number	Revision	Date
Spec Sheet	FABB48A05	E	20-Feb-2019

Band48 BPF

P/N : FABB48A05

Contents

1. Electrical Specifications
2. Simulation Data
3. Mechanical Specification

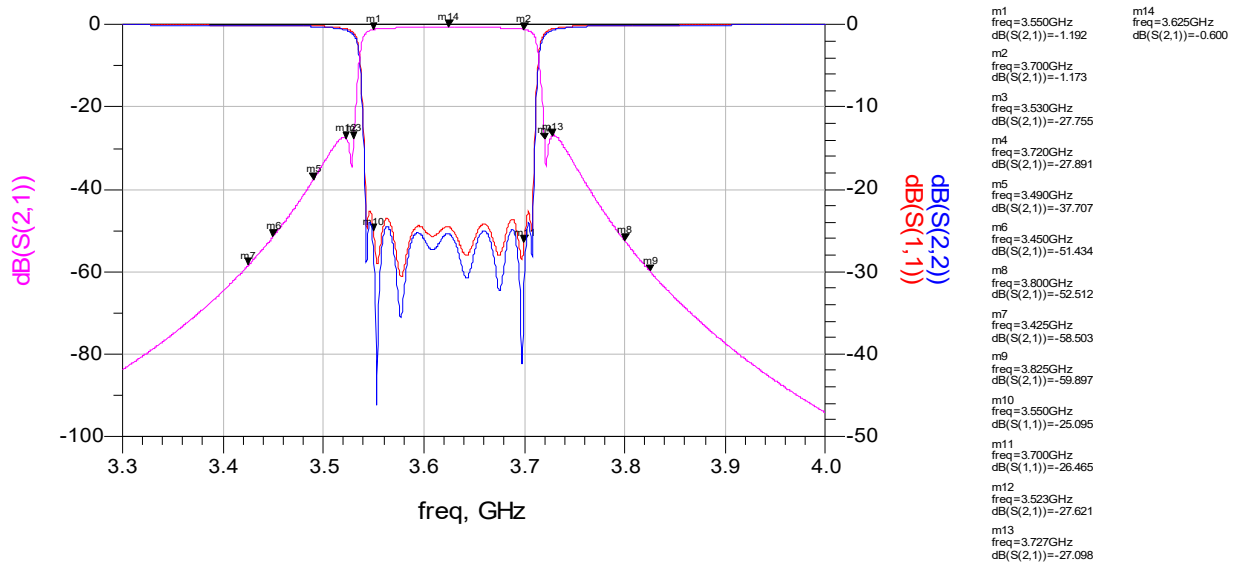
Revision	Description	Date
A	Initial Release	16-Jan-2019
B	Specifications changed	22-Jan-2019
C	Specifications Changed	24-Jan-2019
D	Dimensions Changed	19-Feb-2019
E	Temperature Range Adjusted	20-Feb-2019

Document	Document Number	Revision	Date
Spec Sheet	FABB48A05	E	20-Feb-2019

1. Electrical Specifications

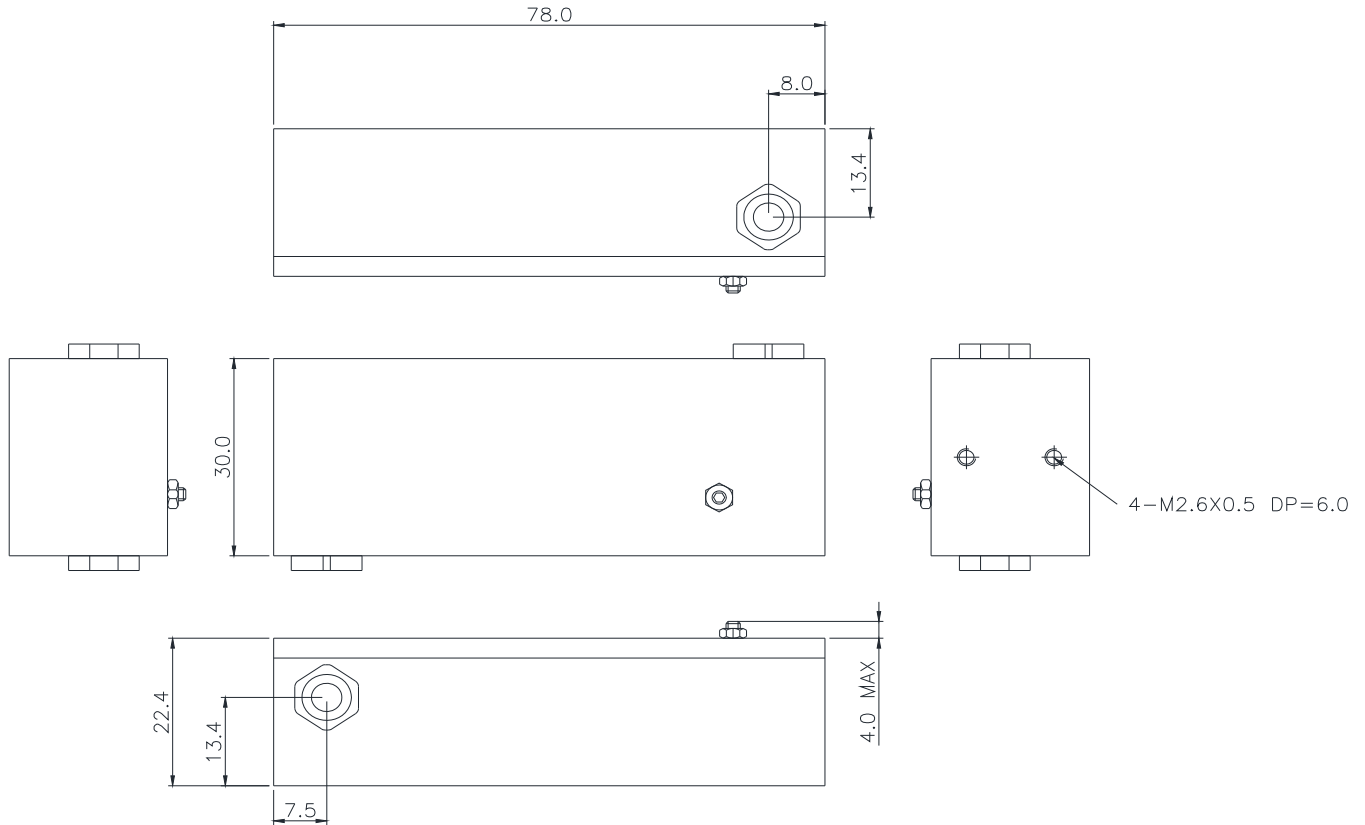
Parameter	Specification	Simulation	Proposal
Pass Band	3550 ~ 3700MHz	3400 ~ 3600MHz	OK
Insertion Loss	0.8dB max.	1.19	1.4max
Ripple	1.0dB max.	0.59	OK
Return Loss	12dB min	21.54	18dB min
Attenuation	60.0dB min @DC ~ 3450MHz	51.45	48.0dB min
	35.0dB min @3300MHz ~ 3490MHz	37.70	OK
	25.0dB min @ 3530MHz	27.75	OK (Marker point)
	25.0dB min @ 3720MHz	27.89	OK (Marker point)
	50.0dB min @3800MHz ~ 5850MHz	52.51	OK
	60.0dB min @7100MHz ~ 7400MHz		OK
Temperature	-40°C - +85°C	-	OK
Input Output Impedance	50Ω	-	OK
Power Handling	10W CW , Peak 100W	-	OK

2. Simulation Data



Document	Document Number	Revision	Date
Spec Sheet	FABB48A05	E	20-Feb-2019

3. Mechanical Specification



Parameter	Specification	Proposal
Dimension	78.0x 30.0 x 26.4 Max (Unit : mm)	OK
Mounting Points	See Outline Drawing	OK
RF Connector	IN-PSMP, OUT- PSMP	OK
Connector Position	See Outline Drawing	OK