



Document	Document Number	Revision	Date
Spec Sheet	FAL2950A01	A	13-Sep-2018

LPF

P/N : FAL2950A01

Contents

1. Electrical Specifications
2. Test Data
3. Mechanical specifications

Revision	Description	Date
A	Initial Release	13-Sep-2018

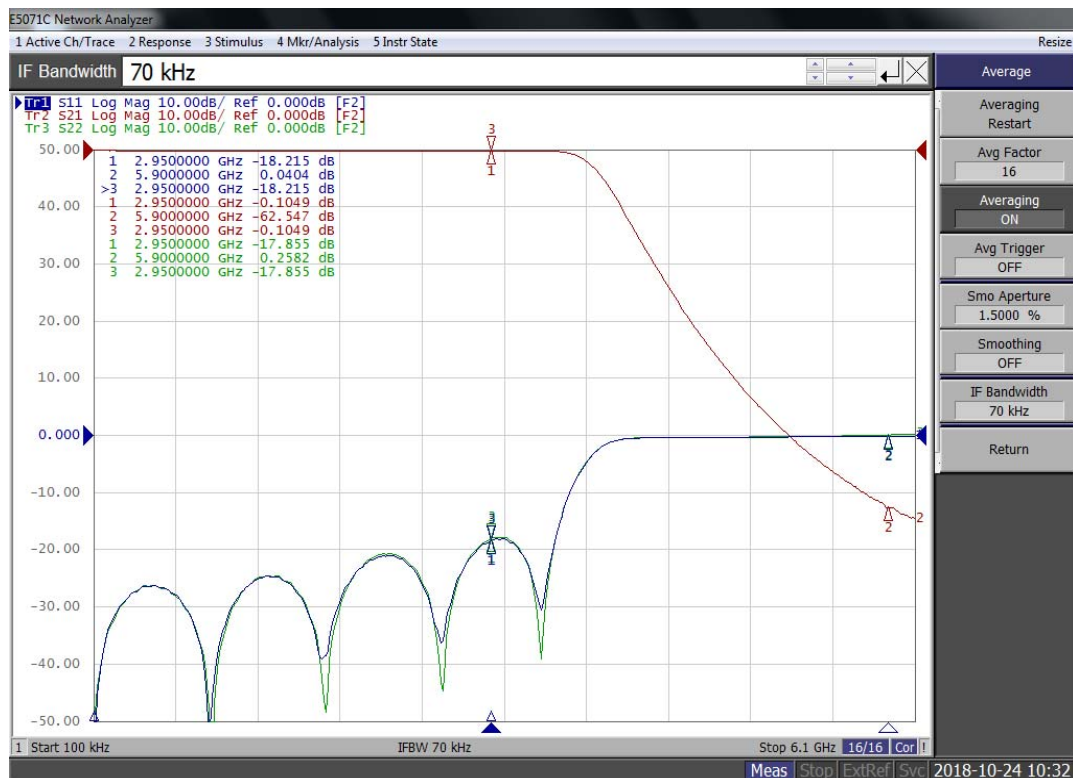


Document	Document Number	Revision	Date
Spec Sheet	FAL2950A01	A	13-Sep-2018

1. Electrical Specifications

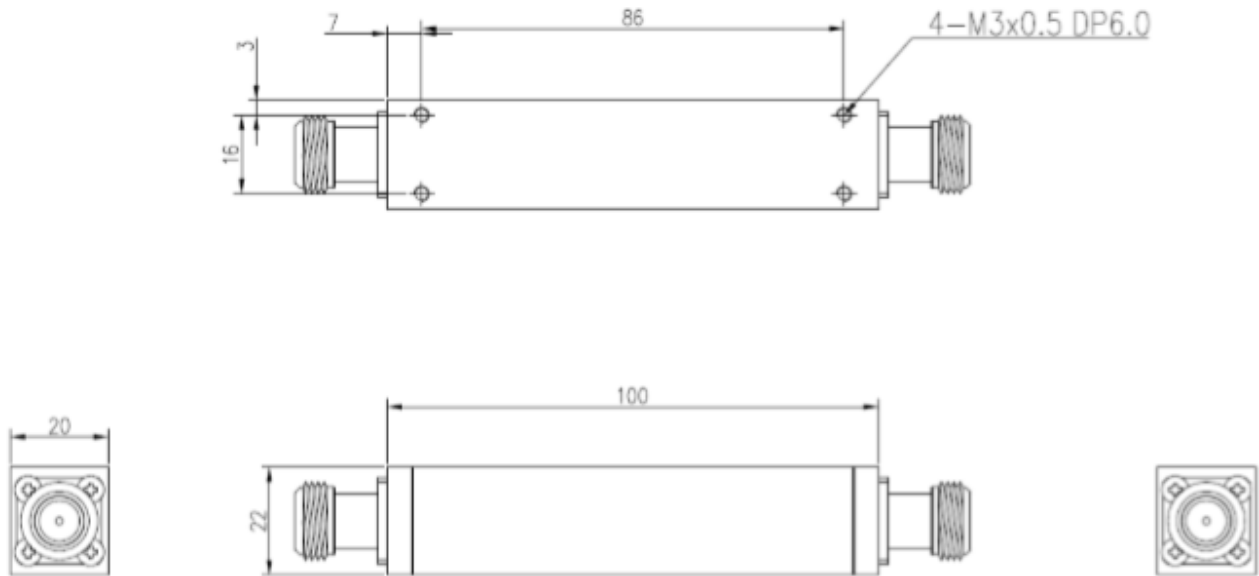
Parameter	Specification	TEST DATA	Remark
Frequency Range	DC ~ 2950MHz	DC ~ 2950MHz	
Insertion Loss	1.5 dB Max.	0.15	
Insertion Loss (Fc)	0.95 dB Max.	0.15	
Return Loss	15dB Min.	18.2	
Rejection	50dB min @ 5900MHz	62.6	
Power	Avg. 2.0 W	OK	
Temperture	-20°C ~ +60°C	OK	
Input Output Impedance	50Ω	OK	

2. TEST Data



Document	Document Number	Revision	Date
Spec Sheet	FAL2950A01	A	13-Sep-2018

3. Mechanical specifications



Parameter	Specification	Proposal	Remark
Dimension(mm)	100.0 * 22.0 * 20.0		
IN/OUT Port Connectors	N Female		