



Document	Document Number	Revision	Date
Spec Sheet	FCB120140A01	B	26-Mar-2019

Band Pass Filter

P/N : FCB120140A01

Contents

1. Electrical Specifications
2. Simulation Data
3. Mechanical Specification
4. Climatic Specifications
5. Dynamic Specifications

Revision	Description	Date
A	Initial Release	26-Mar-2019
B	Proposal updated	02-Apr-2019



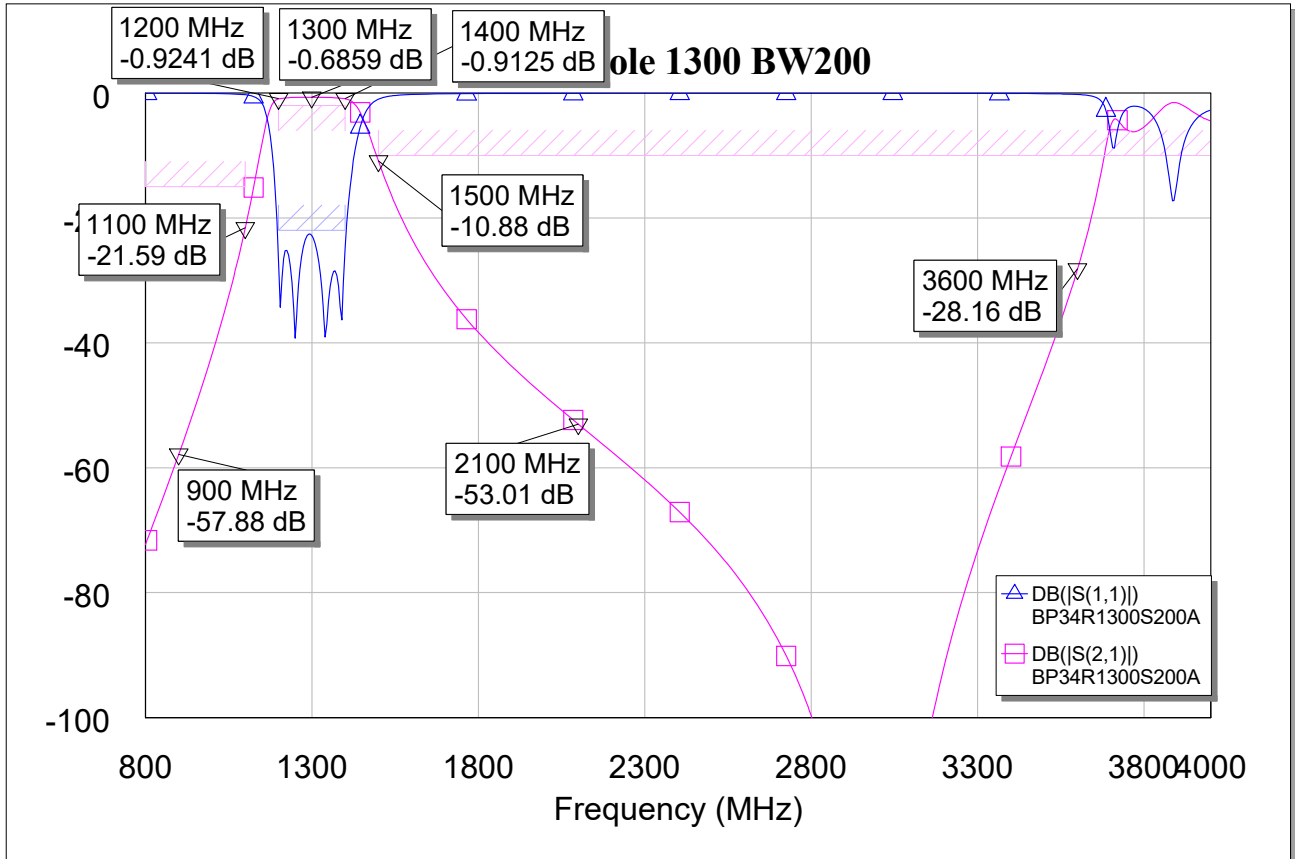
Document	Document Number	Revision	Date
Spec Sheet	FCB120140A01	B	26-Mar-2019

1. Electrical Specifications

Parameter	Specification	Simulation	Proposal
Pass Band	1200MHz ~ 1400MHz	1200MHz ~ 1400MHz	
Insertion Loss	1.5dB max.	0.92 dB	OK
Return Loss	1.4 : 1 max	20 dB	1.5:1 max
Ripple	±0.1dB max @ any 10 MHz slice	-	OK
Attenuation	10.0dBc min @ 1100MHz	21dB	OK
	10.0dBc min @ 1500MHz	10.8 dB	OK
	30dBc min @ 900MHz	57 dB	OK
	50dBc min @ DC ~ 500MHz	-	OK
	45dBc min @ 2100 ~ 3600MHz	28 dB	25 dB
Group Delay Variation @ BW	±0.3nSec @ any 10MHz slice		OK
	±0.15nSec @ any 4MHz slice		OK
Input Output Impedance	50Ω		OK
Power Handling	4 Watt		OK
Sizes	TBD		-
Operation Temperature Range	-40°C ~ +85°C		OK

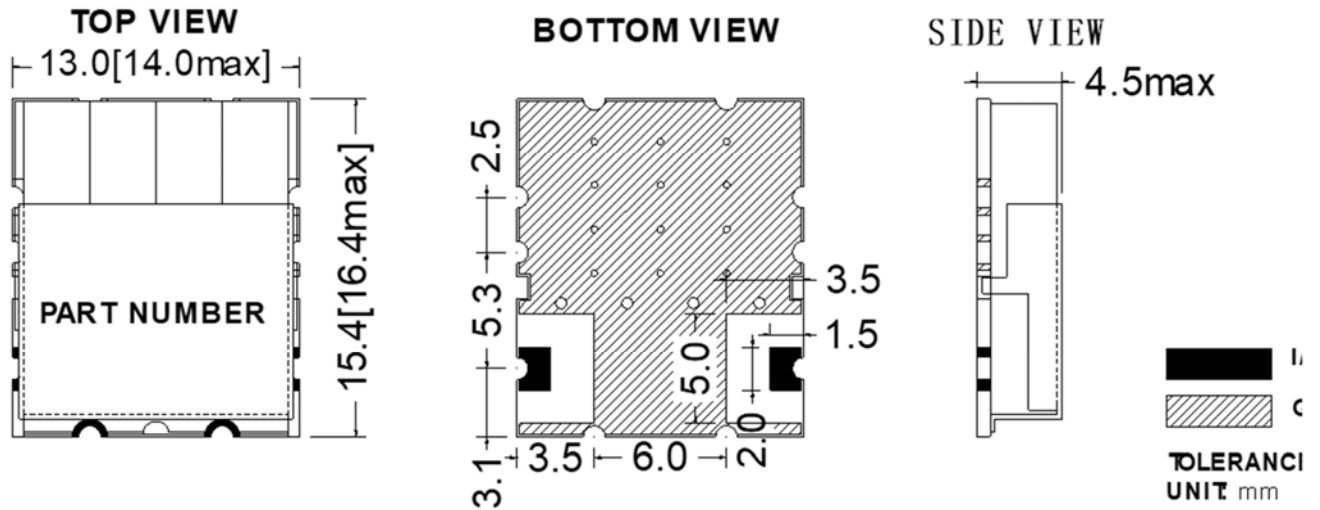
Document	Document Number	Revision	Date
Spec Sheet	FCB120140A01	B	26-Mar-2019

2. Simulation Data



Document	Document Number	Revision	Date
Spec Sheet	FCB120140A01	B	26-Mar-2019

3. Mechanical Specification



Parameter	Specification	Proposal
Dimension	14.0*16.4*4.5(Unit : mm)	

4. Climatic Specifications

Parameter	Specification	Proposal
Operating Temperature	-40°C to +80°C ambient	
Non-Operating Temperature	-45°C to +85°C	
Altitude	0.02 mbar & 60°C	
Humidity	95%, min	
Acoustic Noise	154dB	

Document	Document Number	Revision	Date
Spec Sheet	FCB120140A01	B	26-Mar-2019

5. Dynamic Specifications

Parameter	Specification	Proposal
Shock	SRS 150 g Peak acceleration response @ 60 Hz Cross-over frequency	
	SRS 300 g Peak acceleration response @ 1200 Hz Cross-over frequency	
Acceleration	40g at all directions	
Random Vibrations (3 axes)	10.5gRMS (according to Figure 1)	

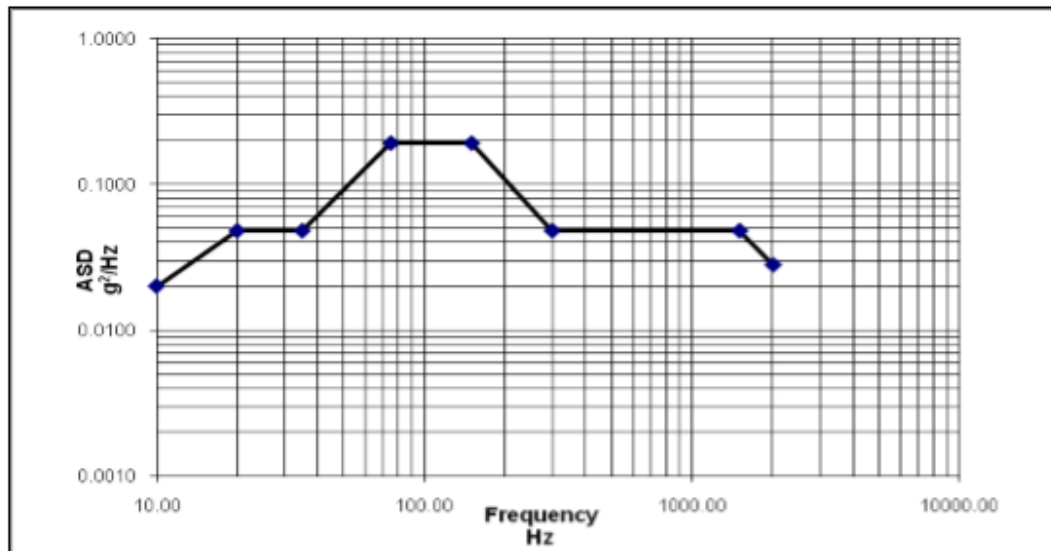


Figure 1: Random Vibrations Graph