



Document	Document Number	Revision	Date
Spec Sheet	FCB228231A01	A	21-Feb-2019

Band Pass Filter

P/N : FCB228231A01

Contents

1. Electrical Specifications
2. Simulation Data
3. Mechanical Specification

Revision	Description	Date
A	Initial Release	21-Feb-2018



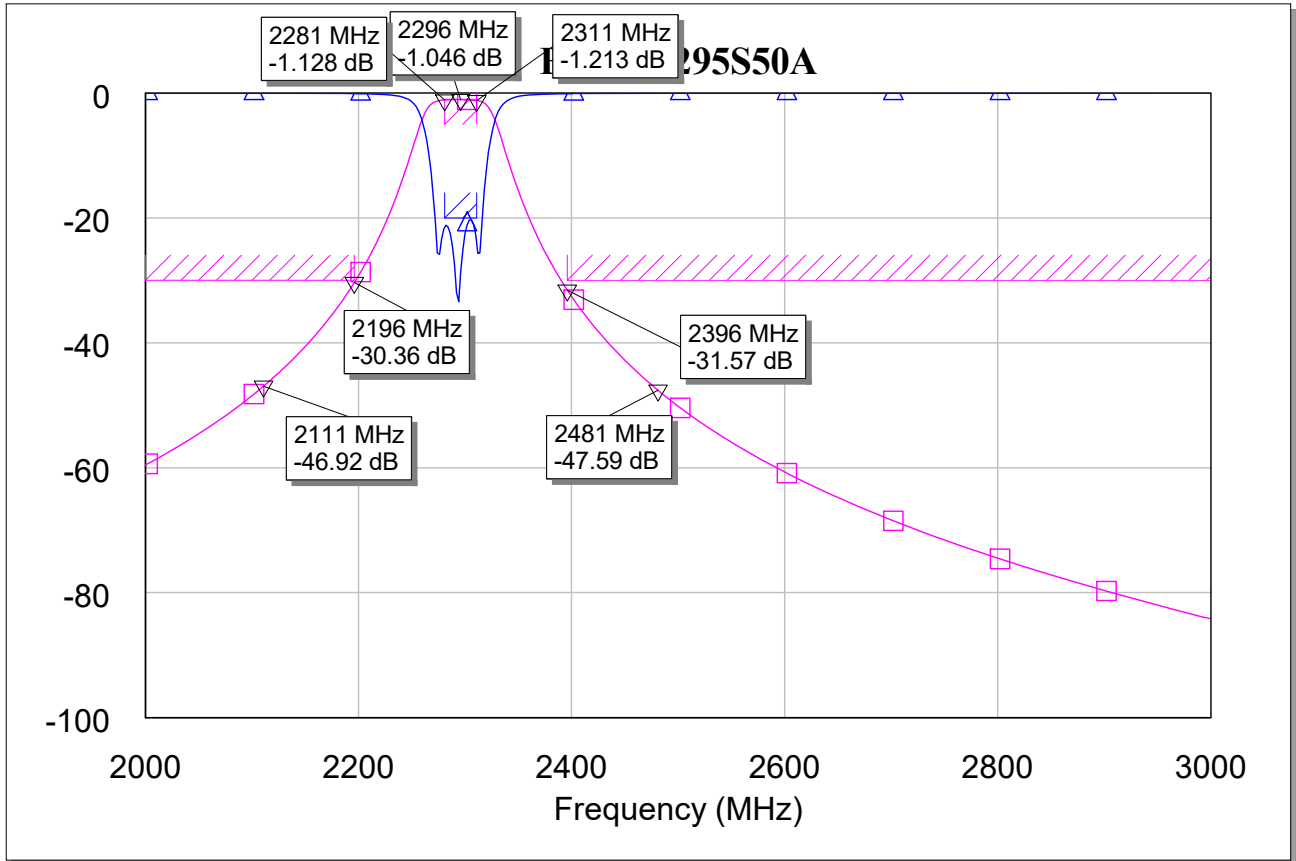
Document	Document Number	Revision	Date
Spec Sheet	FCB228231A01	A	21-Feb-2019

1. Electrical Specifications

Parameter	Specification	Simulation	Proposal
fc (Center Frequency)	2296MHz	-	OK
Band Width (BW)	±15MHz, min	-	OK
Insertion Loss	1.5dB max.	1.21	OK
Return Loss	1.5:1 min.	1.11:1	OK
Ripple in BW	±0.1dB, max. @any 10MHz slice	-	OK
Rejection	25dBc min. @ fc ± 100MHz	30.36	OK
	40dBc min @ fc ± 185MHz	46.92	OK
	40dBc min @ DC ~ 2000MHz	60.42	OK
	40dBc min @ 2490 ~ 4630MHz	52.42	OK
Group Delay Variation @BW	3nSec P-t-P @ any 10MHz slice (Over all conditions: see paragraph 4)	-	OK
Input Output Impedance	50Ω	-	OK
Power Handling (CW)	10W	-	OK
Dimension	15mm*8mm*6mm (L*W*H)	-	OK
Operating Temperature	-40°C to +80°C ambient	-	OK
Non-Operating Temperature	-40°C to +85°C	-	OK
Altitude	50mbar & 60°C	-	OK
Humidity	95% @ 60°C	-	delete

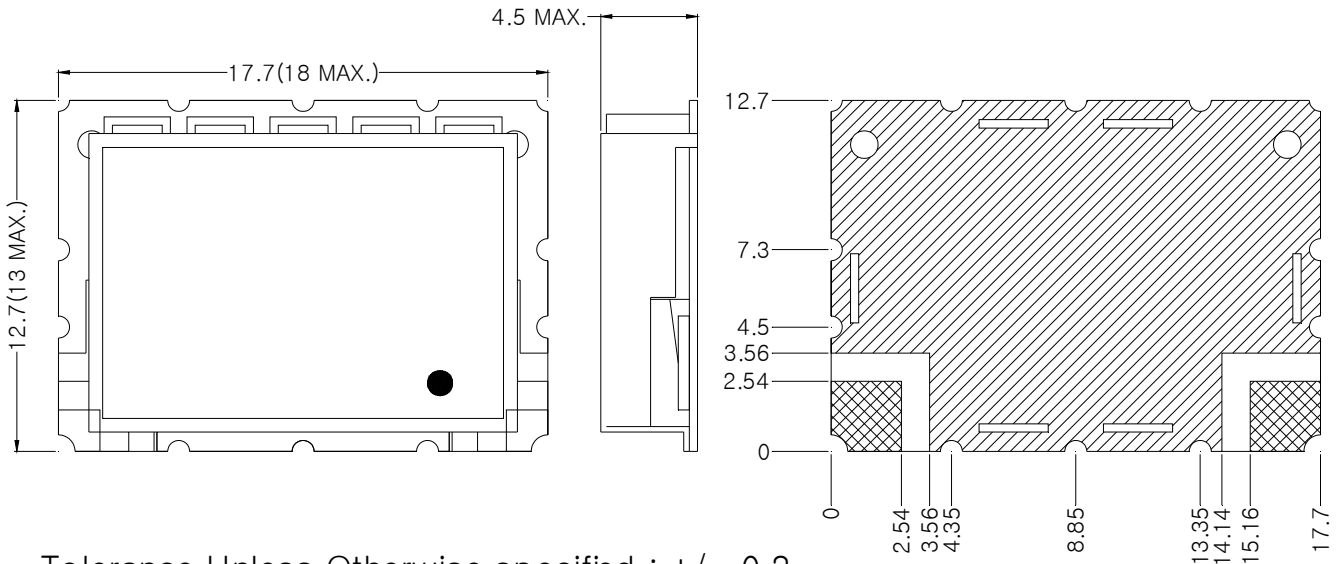
Document	Document Number	Revision	Date
Spec Sheet	FCB228231A01	A	21-Feb-2019

2. Simulation Data

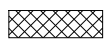
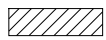


Document	Document Number	Revision	Date
Spec Sheet	FCB228231A01	A	21-Feb-2019

3. Mechanical Specificatio



Tolerance Unless Otherwise specified : ± 0.2

-  : Port
-  : GND

Parameter	Specification	Proposal
Dimension	15mm*8mm*6mm (L*W*H)	18*13*4.5
RF Connector		