



Document	Document Number	Revision	Date
Spec Sheet	FCB2725A01	A	17-Aug-2018

## BPF Filter

**P/N : FCB2725A01**

### Contents

1. Electrical Specifications
2. Simulation Data
3. Mechanical specifications

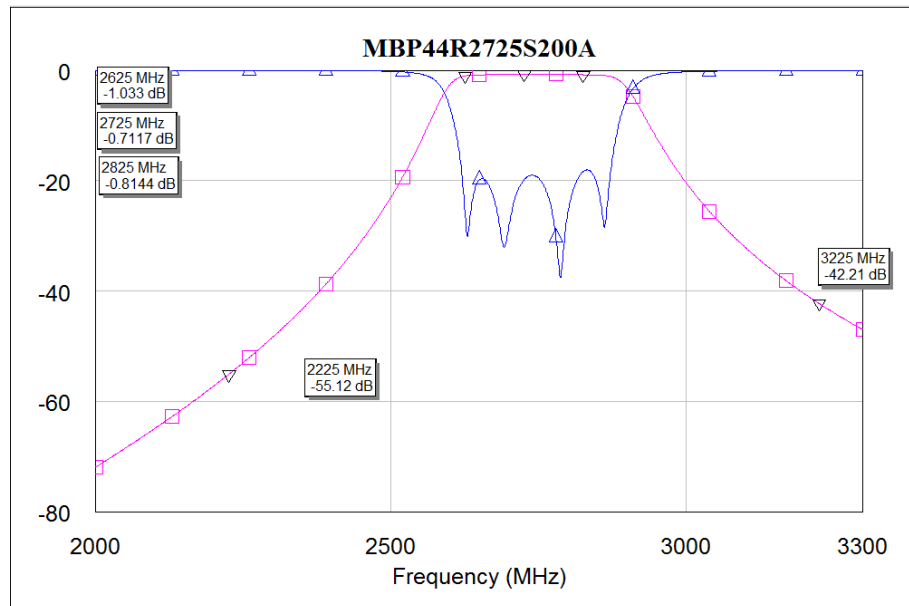
Revision	Description	Date
A	Initial Release	17-Aug-2018

Document	Document Number	Revision	Date
Spec Sheet	FCB2725A01	A	17-Aug-2018

## 1. Electrical Specifications

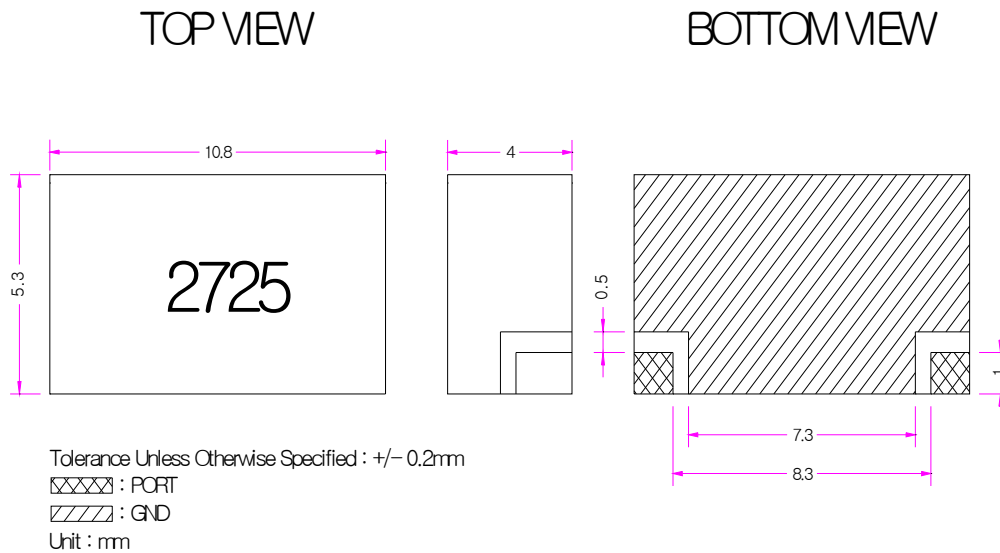
Parameter	Specification	Simulation data	Proposal	Remark
Center frequency	2725MHz	2725MHz	2725MHz	
Bandwidth[1dB BW ]	200 ± 1MHz	200 MHz	200 MHz	
Insertion Loss	3.2dB max.	1.03	OK	
Ripple	1.3dB max.	0.32	OK	
V S W R	1.5:1 max.	1.3	OK	
Group delay Ripple	10ns max.	OK	OK	
Attenuation	30dB min. @ 2225MHz	55.12	OK	
	30dB min. @ 3225MHz	42.21	OK	
Temperature	-50°C ~ +85°C	-50°C ~ +85°C	OK	
Input Output Impedance	50Ω	50Ω	OK	

## 2. Simulation Data



Document	Document Number	Revision	Date
Spec Sheet	FCB2725A01	A	17-Aug-2018

### 3. Mechanical specifications



Parameter	Specification	Proposal
Dimension	11.9*5.6*3.8	10.8*5.3*4