



Document	Document Number	Revision	Date
Spec Sheet	FCB572587A01	A	01-Oct-2019

## Band Pass Filter

**P/N : FCB572587A01**

### Contents

1. Electrical Specifications
2. Mechanical Specification

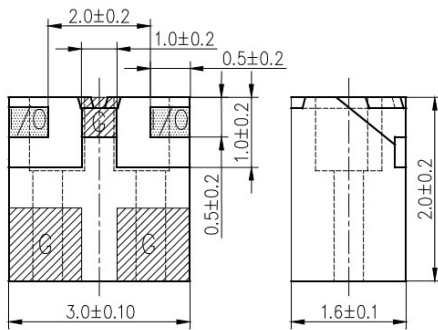
Revision	Description	Date
A	Initial Release	01-Oct-2019

Document	Document Number	Revision	Date
Spec Sheet	FCB572587A01	A	01-Oct-2019

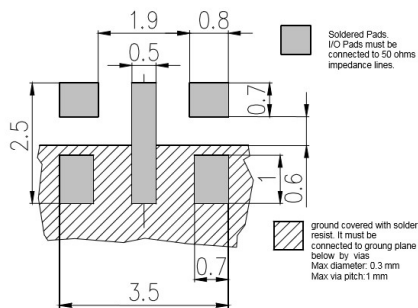
## 1. Electrical Specifications

Parameter	Specification	Proposal
Pass Band	5725MHz ~ 5875MHz	
Insertion Loss	1.1dB max.	
Return Loss	1.5:1	
Attenuation	60.0dB min @ DC ~ 1990MHz	
	46dB min @ 3300MHz	
	45dB min @ 5000MHz	
	15.0dB min @ 5425MHz	
	12.0dB min @ 6175MHz	
	27.0dB min @ 6800MHz	
Input Output Impedance	50Ω	
Power Handling	1.0Watt	

## 2. Mechanical Specification



View from below onto the solder terminals and view from beside



Parameter	Specification	Proposal
Dimension	3.0*2.0*1.6(Unit : mm)	