



LMR/TCOM 50Ω RF Cables

Low Loss Double Shield - LM Series

available for Standard Connectors



Low Loss Cable
Superior Cable Shielding compared to RG
Crimp Connector Attachment
Optimized Performance NOW to 8GHz
Low PIM Solutions with TCOM
Available with many features

Characteristic	100A	195	240	400	600
Center Conductor	Solid Bare Copper				
Dielectric	Solid PE	Foam PE			
1st Shield	Aluminum Tape				
2nd Shield	Tinned Copper Braid				
Cable Jacket	Black PE - Other Options Available				
Shielding	>90dB				
Temp Range	-40°C to +85°C				
Min Bend Radius(Repeat)	1"	2.0"	2.5"	3.0"	4.0"
Peak Power	0.6KW	2.5KW	5.6KW	16KW	40KW
At/100ft 900MHz	22.8dB	11.1dB	7.6dB	3.9dB	2.5dB
At/100ft 1,800MHz	33.2dB	16.0dB	10.9dB	5.7dB	3.7dB
At/100ft 2,000MHz	35.2dB	16.9dB	11.5dB	6.0dB	3.9dB
At/100ft 2,500MHz	39.8dB	19.0dB	12.9dB	6.8dB	4.4dB
At/100ft 5,800MHz	64.1dB	29.9dB	20.4dB	10.8dB	7.3dB
At/100ft 8,000MHz	77.3dB	35.7dB	24.3dB	13.0dB	8.8dB

ConductRF manufactures a range of different cables using various LMR cable styles. Contained here are our standard basic offerings.

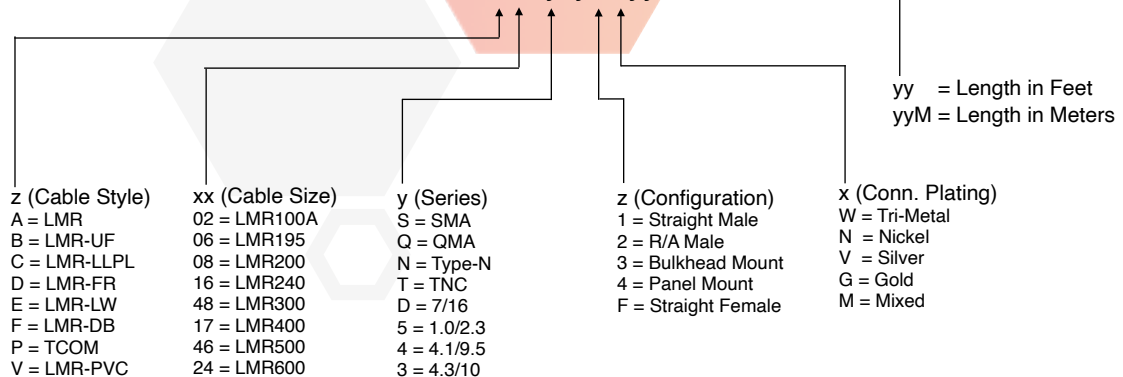
LMR Cable is a versatile cable, that has very Low Loss and great overall performance for Applications up to 8GHz. It is also one of the most cost effective solutions available for Coax Cabling.

When greater flexibility is needed, ConductRF can offer an Ultra-Flex cable with stranded conductors and a thermoplastic rubber jacket allowing maximum flexibility. Connector solutions for LMR cover multiple series of products and options for alternative configurations & finishes are also available. LMR is the registered Trademark of Times Microwave. ConductRF exclusively uses Times Microwave LMR cable unless otherwise requested.



Images for illustration only, Data subject to change.

LMA16-D1NF-N03
LMzxx-yzyz-xyy



21A-LM