

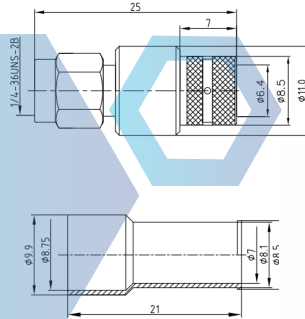


Low PIM RF Connectors

Direct Solder Cable Attachment

for 0.250" & 0.141" Dia. Cables

Optimized Construction for Low PIM
 Non Ferrous materials & Finishes
 Non Ferrous Finishes
 Low VSWR & Insertion Loss



| Range | ConductRF # | Description | Cable Group | Frequency | PIM Level |
|------------------|---------------|--------------------------------------|---------------|------------|-----------|
| Type-N | N5M17C-A44W01 | Straight Plug, Solder Attachment | 0.250" Solder | DC to 6GHz | <-160dBc |
| Type-N | N5M27B-A44W01 | Right Angle Plug, Solder Attachment | 0.250" Solder | DC to 6GHz | <-160dBc |
| Type-N | N5F14B-A44W01 | Straight Jack, Solder Attachment | 0.250" Solder | DC to 6GHz | <-165dBc |
| Din 7/16 | DDM11B-A44W01 | Straight Plug, Solder Attachment | 0.250" Solder | DC to 6GHz | <-165dBc |
| Din 7/16 | DDM22A-A44W01 | Right Angle Plug, Solder Attachment | 0.250" Solder | DC to 6GHz | <-160dBc |
| SMA | SAM11D-A44W01 | Straight Plug, Solder Attachment | 0.250" Solder | DC to 6GHz | <-155dBc |
| SMA | SAM22A-A44W01 | Right Angle Plug, Solder Attachment | 0.250" Solder | DC to 6GHz | <-155dBc |
| Mini Din 4.1/9.5 | D4M11B-A44W01 | Straight Plug, Solder Attachment | 0.250" Solder | DC to 6GHz | <-160dBc |
| Mini Din 4.1/9.5 | D4M21A-A44W01 | Right Angle Plug, Solder Attachment | 0.250" Solder | DC to 6GHz | <-160dBc |
| QMA | QMM11A-A44W01 | Straight Plug, Solder Attachment | 0.250" Solder | DC to 5GHz | <-140dBc |
| QMA | QMM21A-A44W01 | Right Angle Plug, Solder Attachment | 0.250" Solder | DC to 5GHz | <-140dBc |
| Type-N | N5F41B-A29W01 | Straight Jack, 4 Hole Flange, Solder | 0.141" Solder | DC to 6GHz | <-160dBc |
| Type-N | N5M17B-A29W01 | Straight Plug, Solder Attachment | 0.141" Solder | DC to 6GHz | <-160dBc |
| Type-N | N5M27B-A29W01 | Right Angle Plug, Solder Attachment | 0.141" Solder | DC to 6GHz | <-160dBc |
| Din 7/16 | DDM11B-A29W01 | Straight Plug, Solder Attachment | 0.141" Solder | DC to 6GHz | <-165dBc |
| Din 7/16 | DDM21B-A29W01 | Right Angle Plug, Solder Attachment | 0.141" Solder | DC to 6GHz | <-160dBc |
| SMA | SAM11D-A29W01 | Straight Plug, Solder Attachment | 0.141" Solder | DC to 6GHz | <-155dBc |
| SMA | SAM22A-A29W01 | Right Angle Plug, Solder Attachment | 0.141" Solder | DC to 6GHz | <-155dBc |
| Mini Din 4.1/9.5 | D4M11A-A29W01 | Straight Plug, Solder Attachment | 0.141" Solder | DC to 6GHz | <-160dBc |
| Mini Din 4.1/9.5 | D4F41A-A29W01 | 4 Hole Panel, Solder Attachment | 0.141" Solder | DC to 6GHz | <-160dBc |
| QMA | QMM11A-A29W01 | Straight Plug, Solder Attachment | 0.141" Solder | DC to 5GHz | <-140dBc |
| QMA | QMM21A-A29W01 | Right Angle Plug, Solder Attachment | 0.141" Solder | DC to 5GHz | <-140dBc |

Images for illustration only, Data subject to change.

14-PIM-C