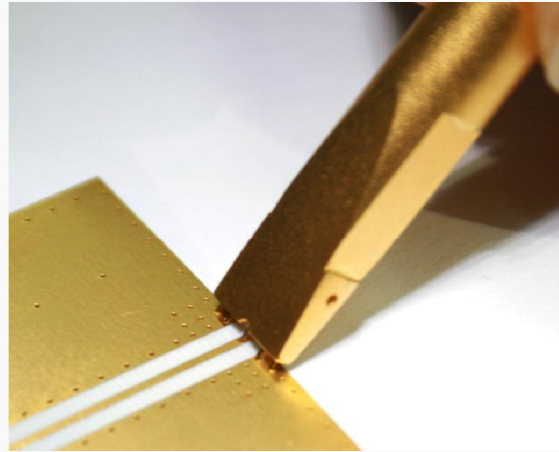


SMA Probe Contacts **GSG, GS Type** **DC to 20 GHz**

ConductRF's SMA Probe Contact is a coaxial probe that offers one signal pin on center and several fixed pitch ground contact points with low inductance. The probe provides excellent electrical performance for applications having a test point with adjacent ground points. SMA probe contacts are available with pitch ranges of 0.8, 1.5 or 2.5 mm, from signal to ground contacts. It is produced by precision manufacturing machining process. It can be mated with any appropriate SMA Male connector, however ConductRF's TSA90 & TSX90 products are recommended.



■ Features

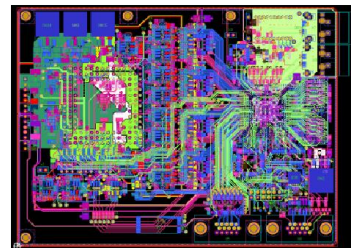
- DC to 20 GHz bandwidth
- Low insertion and return loss (<10 dB)
- GSG, GS configuration (0.8/1.5/2.5 mm pitch range)

■ Advantage

- Easy for signal probing test without any soldering process on circuit board
- Compliant pogo pins allows probing of non-planar structures, walls of module & other obstructions
- Robust pins with repeatability provide longer probing life time and reduce pin damage

■ Applications

- RF & Microwave module signal insertion, detection & output measurement
- High frequency circuit board electrical performance analysis
- High speed digital circuit analysis

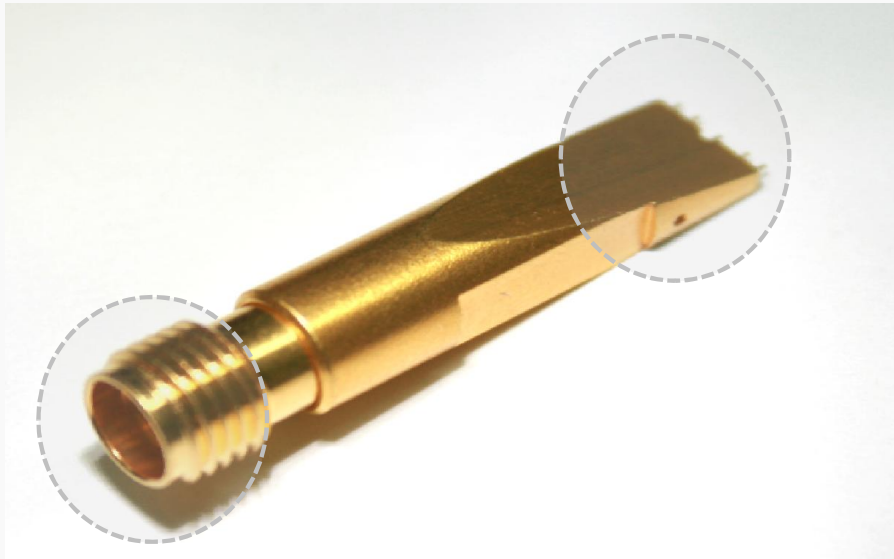


SMA Probe Contacts **GSG, GS Type** DC to 20 GHz

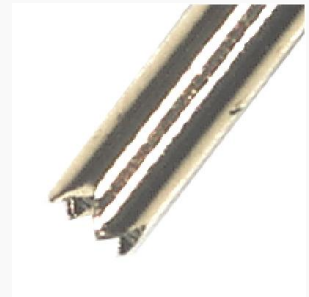
■ Specification

Scope	Items	Specification
Electrical	Freq. range	DC to 20 GHz
	Insertion loss	< 0.5 dB
	Return loss	< 10dB
Mechanical	Connector type	3.5 mm connector
	Probe pitch	0.8/1.5/2.5 mm (from signal to ground)
	Pin type	Pogo Structure

* RoHS Compliant



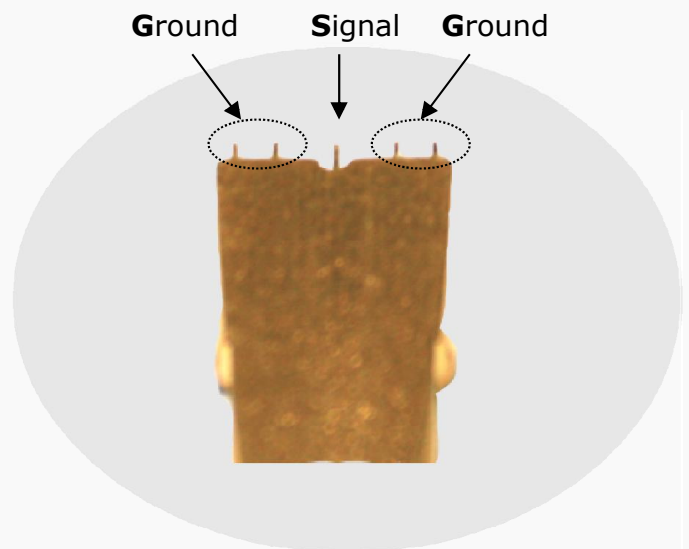
Pogo Pin



Crown type



3.5 mm connector
(compatible with SMA)



Ground Signal Ground

SMA Probe Contacts **GSG, GS Type** DC to 20 GHz

Ordering Information

PC-04G-01

Probe type

G : GSG Type
S : GS Type

Pin Pitch

01 : 0.8 mm
02 : 1.5 & 2.5 mm

▪ GSG Type (pitch : 0.8/ 1.5, 2.5)

Part No.	PC-04G-01	PC-04G-02
Pitch (mm)	0.8	1.5 & 2.5
Structure		

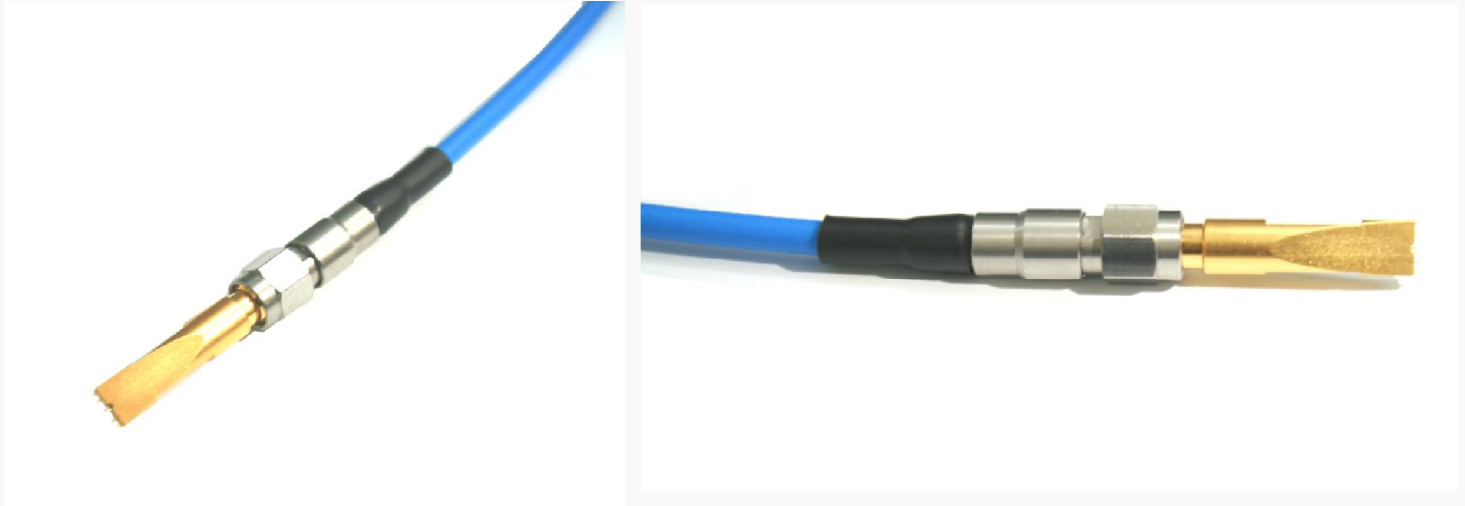
▪ GS Type (pitch : 0.8/ 1.5, 2.5)

Part No.	PC-04S-01	PC-04S-02
Pitch (mm)	0.8	1.5 & 2.5
Structure		

SMA Probe Contacts GSG, GS Type DC to 20 GHz

■ **Accessories : Test Cable Assembly**

Cable Assembly Options



Recommended Test Cable Part No. :TSX90-S1S1-F03



- Frequency : DC to 27 GHz
- Connector : SMA(Male)
- Part # : TSX90-S1S1-F04
- Cable Length : 4ft
- 18GHz Use TSA80-S1S1-F04

SMA Probe Contacts

GSG, GS Type DC to 20 GHz

Test results

Freq. range: 10 MHz~ 20 GHz

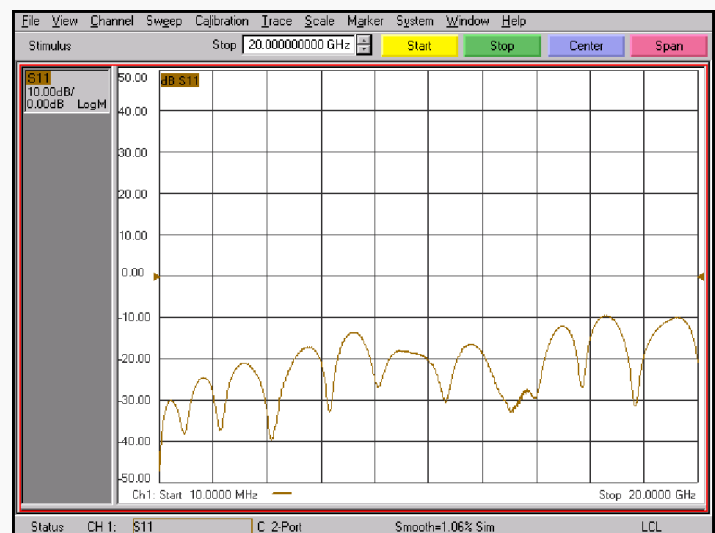
GSG Type (pitch : 0.8 mm)

Part No : PC-04G-01



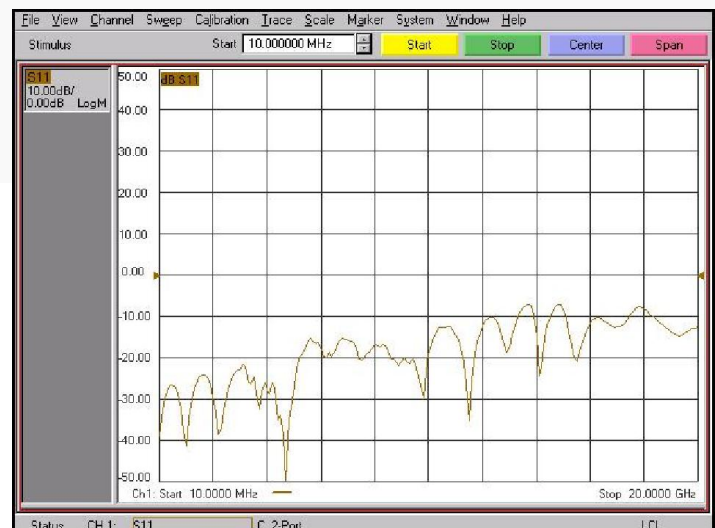
GSG Type (pitch : 1.5 mm & 2.5 mm)

Part No : PC-04G-02



GS Type (pitch : 0.8 mm)

Part No : PC-04S-01



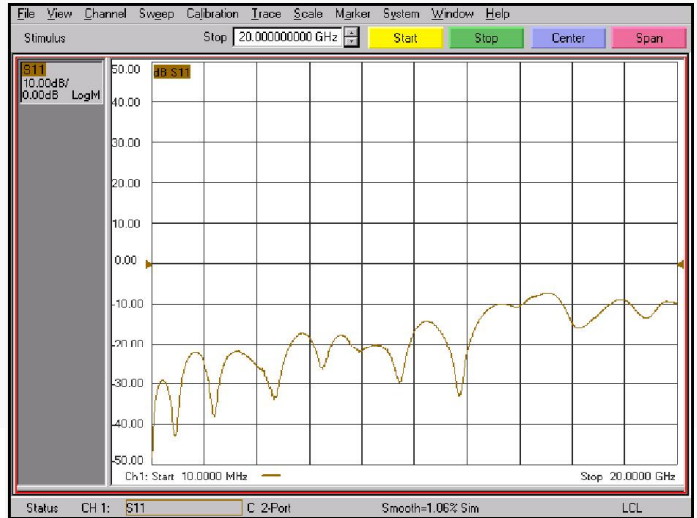
SMA Probe Contacts **GSG, GS Type** DC to 20 GHz

Test results

GS Type (pitch : 1.5 & 2.5 mm)

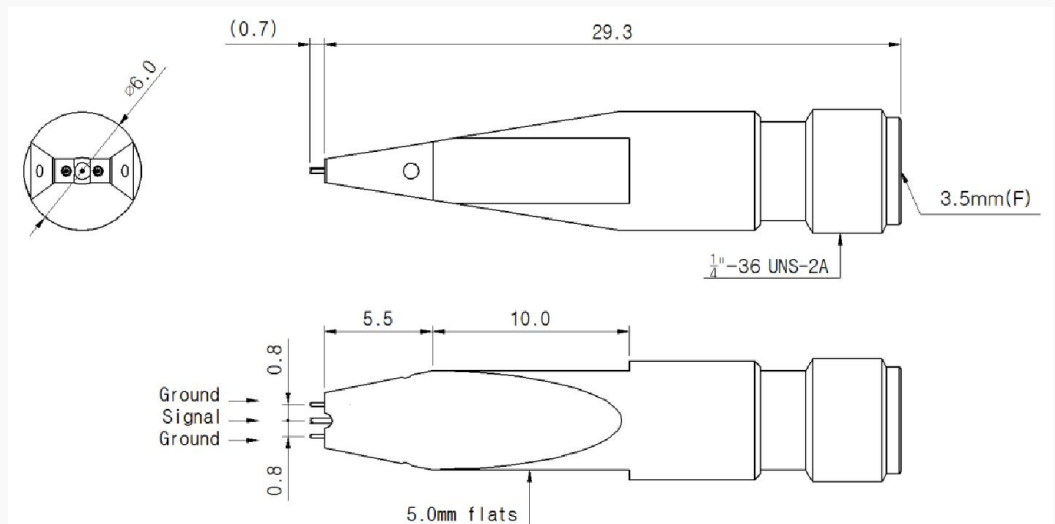
Part No : PC-04S-02

Freq. range: 10 MHz~ 20 GHz



Drawings

Unit : mm



Part No : PC-04G-01

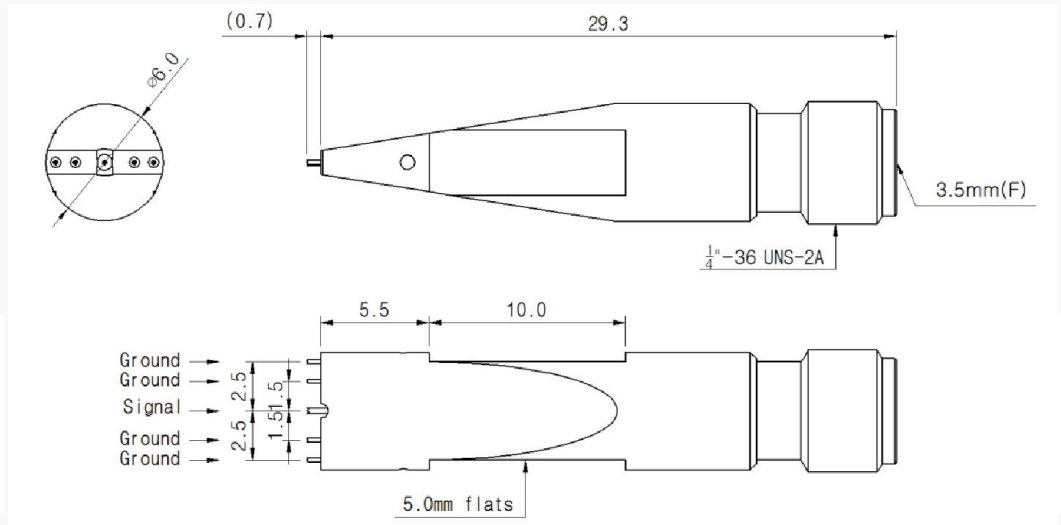
SMA Probe Contacts

GSG, GS Type DC to 20 GHz

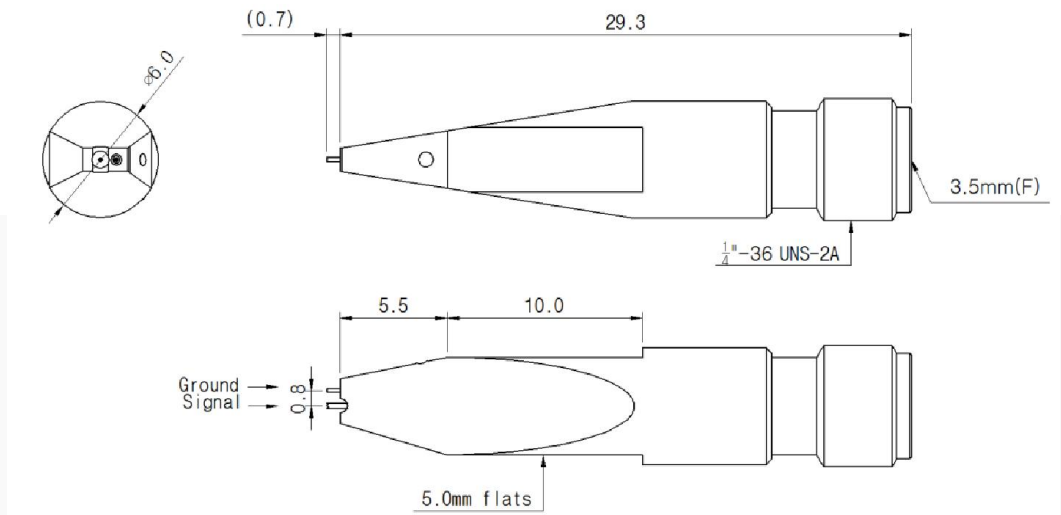
Drawings

Unit : mm

Part No : PC-04G-02



Part No : PC-04S-01



Part No : PC-04S-02

