



SMPM 500hm Connectors

DC to 65GHz

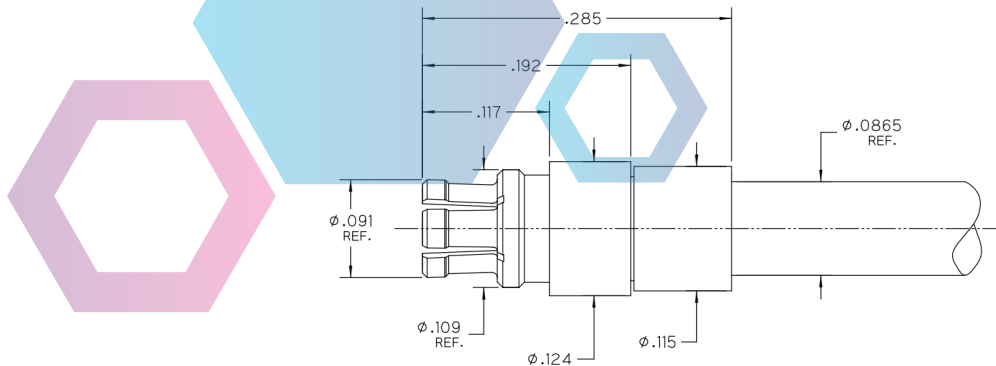
Precision Series

Optimized Performance
Ruggedized Material Construction
30% Smaller than SMP
Low VSWR & Insertion Loss
Op. Temp -65C to 165C
Full Detent PCB for Positive Lock



Description	ConductRF #	Frequency
SMPM with Female Contacts - Direct Solder		
FOR RG-405 CABLE	PMF11A-A28G01	DC to 65GHz
FOR RG-405 CABLE	PMF12A-A28G01	DC to 65GHz
BULKHEAD, FOR RG-405	PMF31A-A28G01	DC to 65GHz
BULKHEAD, TEMP-FLEX 047SC-2901	PMF31B-A33G01	DC to 40GHz
MITER RT. ANGLE, FOR TEMP-FLEX 047SC-2901	PMF21B-A33G01	DC to 20GHz
RT. ANGLE FOR 0.047" CABLE	PMF21A-A33G01	DC to 20GHz
SMPM with Male Contacts - Full Detent		
PCB SURFACE MOUNT (.264 HIGH)	PMM11A-SPCG01	DC to 65GHz
PCB SURFACE MOUNT (.140 HIGH)	PMM12A-SPCG01	DC to 65GHz
Between Series Adapters to 2.92mm		
ADAPTER, SMPM FEMALE TO 2.92mm JACK	BA-PDF-PMF-50	DC to 40GHz
ADAPTER, SMPM MALE to 2.92mm JACK	BA-PDF-PMM-50	DC to 40GHz

Images for illustration only, Data subject to change.



145A-SMPM